



## mSATA 3TEB

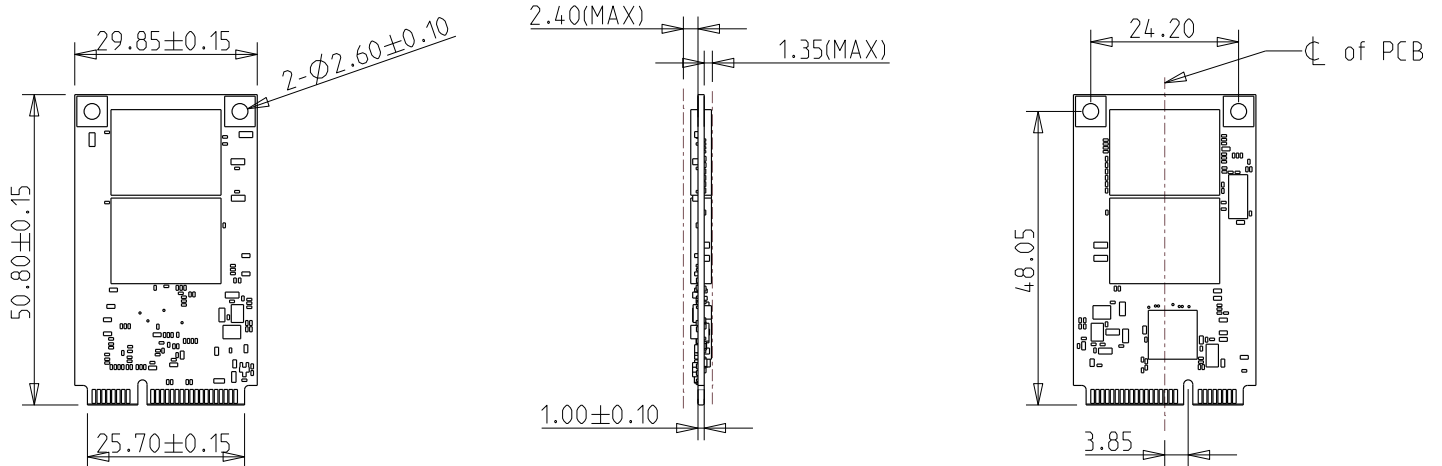
### HIGHLIGHT FEATURES

- mSATA SATA III solution for industrial field
- High IOPS
- iSMART disk health monitoring
- iPower Guard for protecting unstable start up and shut down.
- iData Guard for abnormal power failure

### SPECIFICATIONS

<b>Model Name</b>	mSATA 3TEB
<b>Flash Type</b>	3D TLC
<b>Interface</b>	SATA III 6.0 Gb/s
<b>Form Factor</b>	MO-300
<b>Capacity</b>	64GB ~ 1TB
<b>Sequential R / W (MB/sec, max.)</b>	560 / 480
<b>P/E Cycle</b>	3,000
<b>TBW (Max.)</b>	900
<b>Storage Temperature</b>	-40°C ~ 85°C
<b>Max. Power Consumption</b>	1.3W
<b>Max. Channels</b>	2
<b>External DRAM Buffer</b>	N
<b>H/W Write Protect</b>	N
<b>S.M.A.R.T.</b>	Y
<b>AES</b>	N
<b>TCG Opal</b>	N
<b>Dimension (W x L x H/mm)</b>	29.85 x 50.8 x 4.75
<b>Vibration</b>	20G@[7 ~ 2000Hz]
<b>Shock</b>	1500G@0.5ms
<b>MTBF</b>	>3 million hours
<b>Warranty</b>	3 Years

# DIAGRAM



TOLERANCE:  $\pm 0.15\text{mm}$   
UNIT: mm

## ORDER INFO.

Operating Temperature	Standard Grade (0°C ~ 70°C)	Industrial Grade (-40°C ~ 85°C)
64GB	-	DEMSR-64GIC1KWASF
128GB	DEMSR-A28IC1KCADF	DEMSR-A28IC1KWADF
256GB	DEMSR-B56IC1KCADF	DEMSR-B56IC1KWADF
512GB	DEMSR-C12IC1KCADF	DEMSR-C12IC1KWADF
1TB	DEMSR-01TIC1KCADF	DEMSR-01TIC1KWADF

HQ (Taiwan) T +886-2-7703-3000 / E sales@innodisk.com

CN T +86-755-2167-3689 / E sales\_cn@innodisk.com

US T +1-510-770-9421 / E usasales@innodisk.com

EU T +31-40-3045-400 / E eusales@innodisk.com

JP T +81-3-6667-0161 / E jp\_sales@innodisk.com

**innodisk**