



mSATA 3TE7

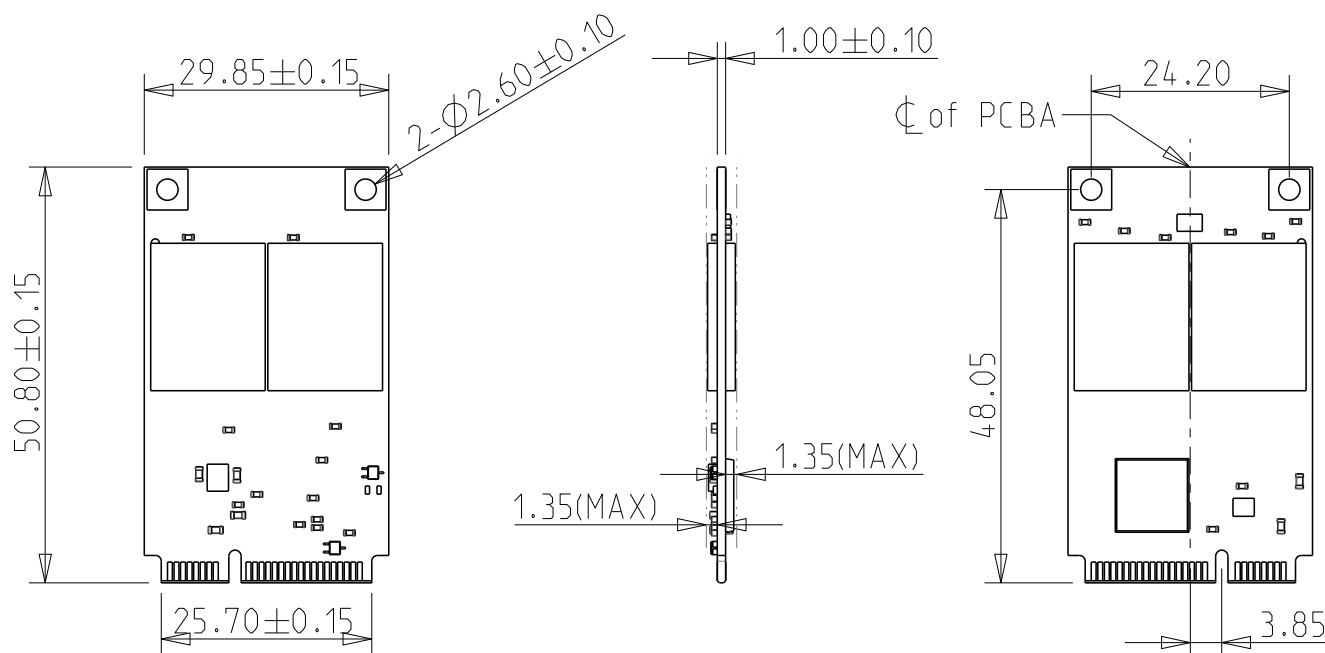
HIGHLIGHT FEATURES

- mSATA SATA III solution for industrial field
- High IOPS
- iSMART disk health monitoring
- iPower Guard for protecting unstable start up and shut down
- iData Guard for abnormal power failure

SPECIFICATIONS

Model Name	mSATA 3TE7
Flash Type	3D TLC
Interface	SATA III 6.0 Gb/s
Form Factor	MO-300
Capacity	64GB ~ 2TB
Sequential R / W (MB/sec, max.)	550 / 510
P/E Cycle	3,000
TBW (Max.)	2,400
Storage Temperature	-40°C ~ 85°C
Max. Power Consumption	2.0W
Max. Channels	4
External DRAM Buffer	N
H/W Write Protect	Y (Optional)
S.M.A.R.T.	Y
AES	Y (Optional)
TCG Opal	N
Dimension (W x L x H/mm)	29.85 x 50.8 x 3.7
Vibration	20G@[7 ~ 2000Hz]
Shock	1500G@0.5ms
MTBF	>3 million hours
Warranty	3 Years

DIAGRAM



TOLERANCE: ± 0.15 mm
UNIT: mm

ORDER INFO.

Operating Temperature	Standard Grade (0°C ~ 70°C)
64GB	DEMSR-64GDK1KCASL
128GB	DEMSR-A28DK1KCADL
256GB	DEMSR-B56DK1KCA&L
512GB	DEMSR-C12DK1KCAQL
1TB	DEMSR-01TDK1KCAQL
2TB	DEMSR-02TDK1KCAQL

&. S : D : 2 channels / Q : 4 channels

HQ (Taiwan) T +886-2-7703-3000 / E sales@innodisk.com

CN T +86-755-2167-3689 / E sales_cn@innodisk.com

US T +1-510-770-9421 / E usasales@innodisk.com

EU T +31-40-3045-400 / E eusales@innodisk.com

JP T +81-3-6667-0161 / E jp_sales@innodisk.com

innodisk