

## MicroSD Card 3TE4



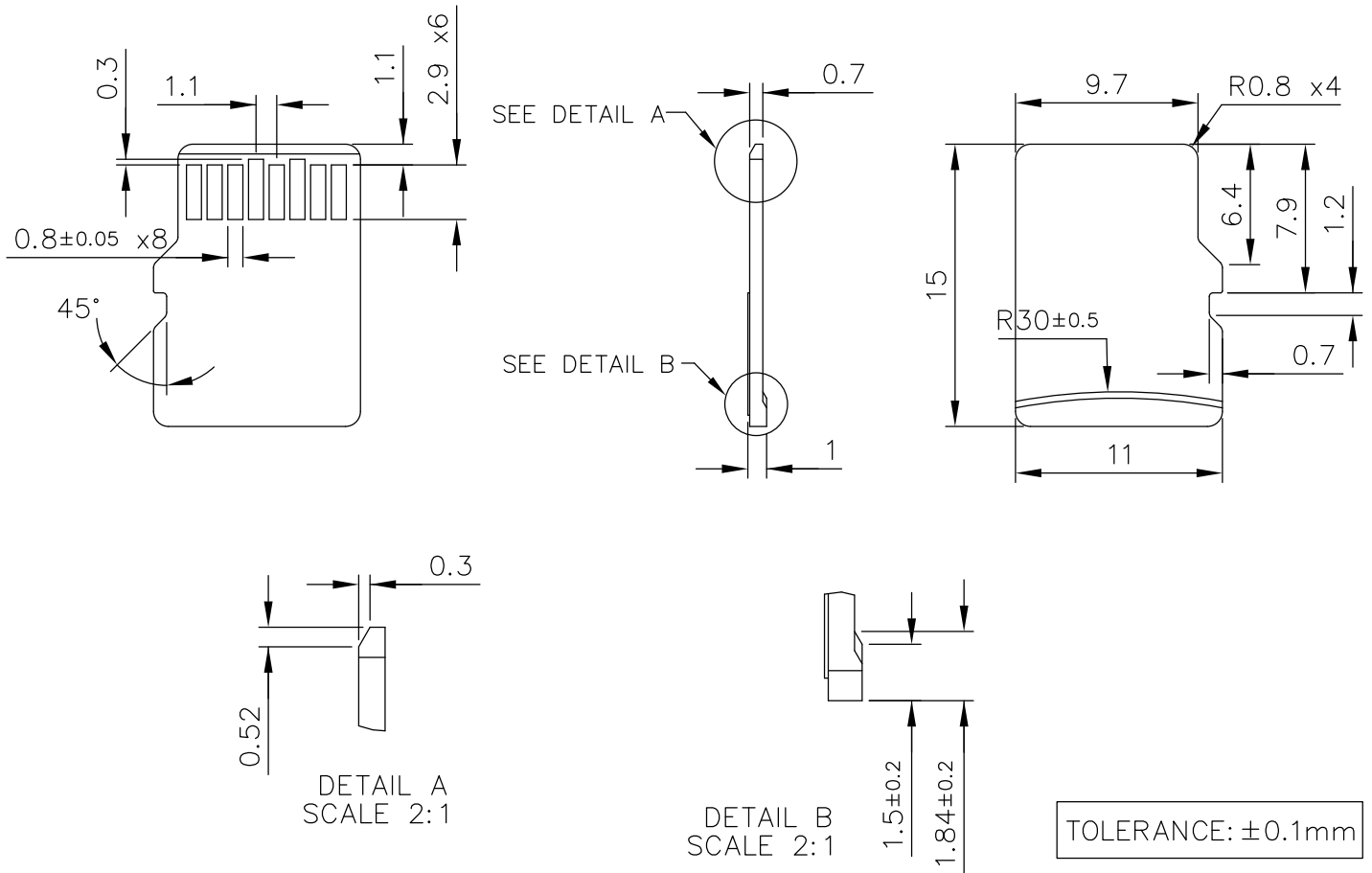
### HIGHLIGHT FEATURES

- Compliant with SD 6.1 / SD 3.0 / SD 2.0 interface
- Supports Class 10 with UHS-III
- Adopt 3D TLC NAND Flash
- High performance
- Targeted for portable and stationary applications
- S.M.A.R.T. function supported

### SPECIFICATIONS

Model Name	MicroSD Card 3TE4
Flash Type	3D TLC
Interface	SD 6.1
Form Factor	MicroSD Card
Capacity	64GB ~ 512GB
Sequential R / W (MB/sec, max.)	90 / 80
P/E Cycle	3,000
TBW (Max.)	1,363
Storage Temperature	-40°C ~ 85°C
Max. Power Consumption	0.7W
Max. Channels	1
External DRAM Buffer	N
H/W Write Protect	N
S.M.A.R.T.	Y
AES	N
TCG Opal	N
Dimension (W x L x H/mm)	11.0 x 15.0 x 1.0
Vibration	20G@[7 ~ 2000Hz]
Shock	1500G@0.5ms
MTBF	>3 million hours
Warranty	3 Years

# DIAGRAM



## ORDER INFO.

Operating Temperature	Extended Grade (-25°C ~ 85°C)	Industrial Grade (-40°C ~ 85°C)
64GB	DESDM-64GS06KE1SL	DESDM-64GS06KW1SL
128GB	DESDM-A28S06KE1SL	DESDM-A28S06KW1SL
256GB	DESDM-B56S06KE1SL	DESDM-B56S06KW1SL
512GB	DESDM-C12S06KE1SL	DESDM-C12S06KW1SL

HQ (Taiwan) T +886-2-7703-3000 / E sales@innodisk.com

CN T +86-755-2167-3689 / E sales\_cn@innodisk.com

US T +1-510-770-9421 / E usasales@innodisk.com

EU T +31-40-3045-400 / E eusales@innodisk.com

JP T +81-3-6667-0161 / E jp\_sales@innodisk.com

