



M.2 (P80) 4TS2-P

HIGHLIGHT FEATURES

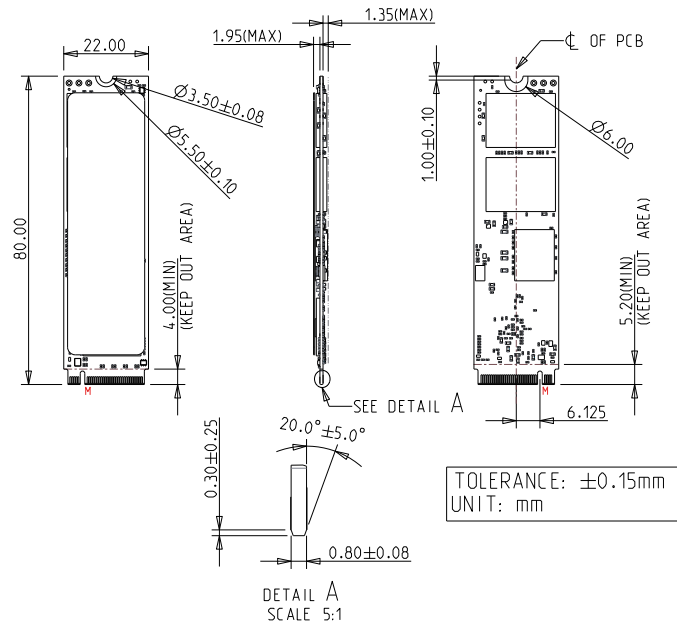
- PCIe Gen 4 x4, NVMe 1.4
- Stable sustained performance
- LDPC ECC engine supported
- Dynamic Thermal Throttling
- Support TCG Opal Function (Optional)

SPECIFICATIONS

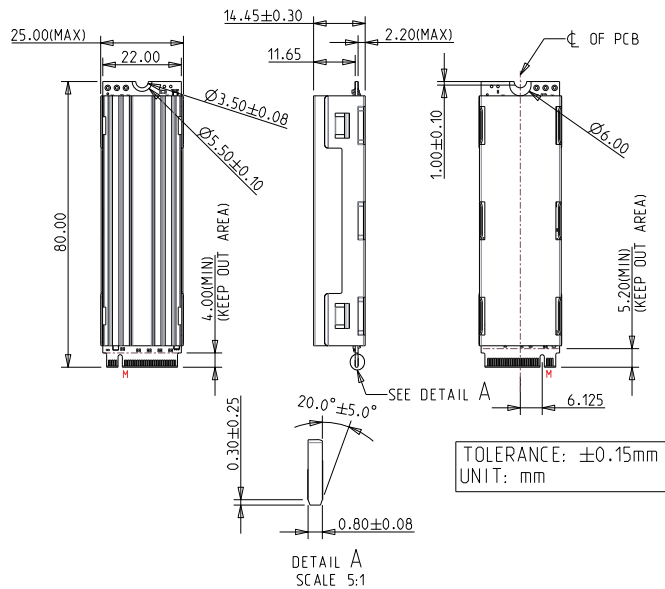
Model Name	M.2 (P80) 4TS2-P
Flash Type	3D TLC
Interface	PCIe Gen 4 x4
Form Factor	M.2 2280 M Key
Capacity	400GB ~ 3.2TB
Sequential R / W (MB/sec, max.)	6,950 / 4,650
P/E Cycle	3,000
TBW (Max.)	5,312
Storage Temperature	-40°C ~ 85°C
Max. Power Consumption	6.7W
Max. Channels	8
External DRAM Buffer	Y
H/W Write Protect	N
S.M.A.R.T.	Y
AES	Y (Optional)
TCG Opal	Y (Optional)
Dimension (W x L x H/mm)	S/T with heat-spreading copper layer : 22.0 x 80.0 x 3.3 W/T with heatsink : 25.0 x 80.0 x 14.45 Pure M.2 : 22.0 x 80.0 x 2.87
Vibration	20G@[7 ~ 2000Hz]
Shock	1500G@0.5ms
MTBF	>3 million hours
Warranty	5 Years

DIAGRAM

ST



WT



Note: The appearance of silicone oil seeping out from the inside of the thermal pad is a normal occurrence. Silicone oil is not electrically conductive, so it does not impact the functionality of SSD.

ORDER INFO.

Operating Temperature	Standard Grade (0°C ~ 70°C)	Industrial Grade (-40°C ~ 85°C)
400GB	DSM28-400DP1KCCEF	DSM28-400DP1KWCFH
800GB	DSM28-800DP1KCCEF	DSM28-800DP1KWCFH
1.6TB	DSM28-1T6DP1KCCEF	DSM28-1T6DP1KWCFH
3.2TB	DSM28-3T2DP1KCCEF	DSM28-3T2DP1KWCFH

For TCG OPAL function, the PN Code 10th ~ 12th will be DP2.

HQ (Taiwan) T +886-2-7703-3000 / E sales@innodisk.com

CN T +86-755-2167-3689 / E sales_cn@innodisk.com

US T +1-510-770-9421 / E usasales@innodisk.com

EU T +31-40-3045-400 / E eusales@innodisk.com

JP T +81-3-6667-0161 / E jp_sales@innodisk.com

innodisk