

M.2 (P80) 4IE3



HIGHLIGHT FEATURES

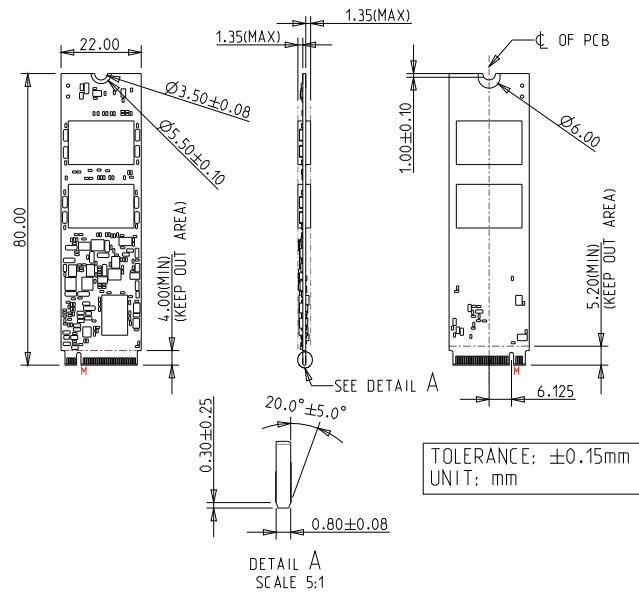
- PCIe Gen 4 x4, NVMe 1.4
- Stable sustained performance
- LDPC ECC engine supported
- 256 bit AES hardware based encryption
- Ultra iSLC technology
- Dynamic thermal management

SPECIFICATIONS

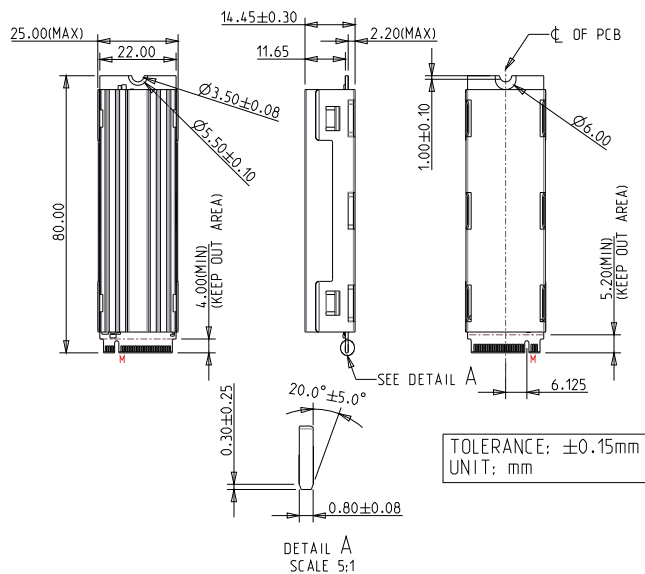
Model Name	M.2 (P80) 4IE3
Flash Type	iSLC (3D TLC)
Interface	PCIe Gen 4 x4
Form Factor	M.2 2280 M Key
Capacity	40GB ~ 640GB
Sequential R / W (MB/sec, max.)	3,500 / 3,200
P/E Cycle	100,000
TBW (Max.)	36,505
Storage Temperature	-40°C ~ 85°C
Max. Power Consumption	4.8W
Max. Channels	4
External DRAM Buffer	N
H/W Write Protect	Y (Optional)
S.M.A.R.T.	Y
AES	Y (Optional)
TCG Opal	Y (Optional)
Dimension (W x L x H/mm)	Pure M.2 : 22.0 x 80.0 x 3.5 W/T with heat sink : 25.0 x 80.0 x 14.5
Vibration	20G@[7 ~ 2000Hz]
Shock	1500G@0.5ms
MTBF	>3 million hours
Warranty	5 Years

DIAGRAM

ST



WT



Note: The appearance of silicone oil seeping out from the inside of the thermal pad is a normal occurrence. Silicone oil is not electrically conductive, so it does not impact the functionality of SSD.

ORDER INFO.

Operating Temperature	Standard Grade (0°C ~ 70°C)	Industrial Grade (-40°C ~ 85°C)
40GB	DHM28-40GDH1KCADL(W)	DHM28-40GDH1KWADL(W)H
80GB	DHM28-80GDH1KCAQL(W)	DHM28-80GDH1KWAQL(W)H
160GB	DHM28-A60DH1KCAQL(W)	DHM28-A60DH1KWAQL(W)H
320GB	DHM28-D2GDH1KCAQL(W)	DHM28-D2GDH1KWAQL(W)H
640GB	DHM28-F4GDH1KCAQL(W)	DHM28-F4GDH1KWAQL(W)H

W : H/W Write Protect

For TCG Opal function, the PN Code 10th ~ 12th will be DH2.

HQ (Taiwan) T +886-2-7703-8000 / E sales@innodisk.com

CN T +86-755-2167-3689 / E sales_cn@innodisk.com

US T +1-510-770-9801 / E usasales@innodisk.com

EU T +31-40-8045-400 / E eusales@innodisk.com

JP T +81-3-6667-0161 / E jp_sales@innodisk.com

innodisk