



## M.2 (P42) 3TE4

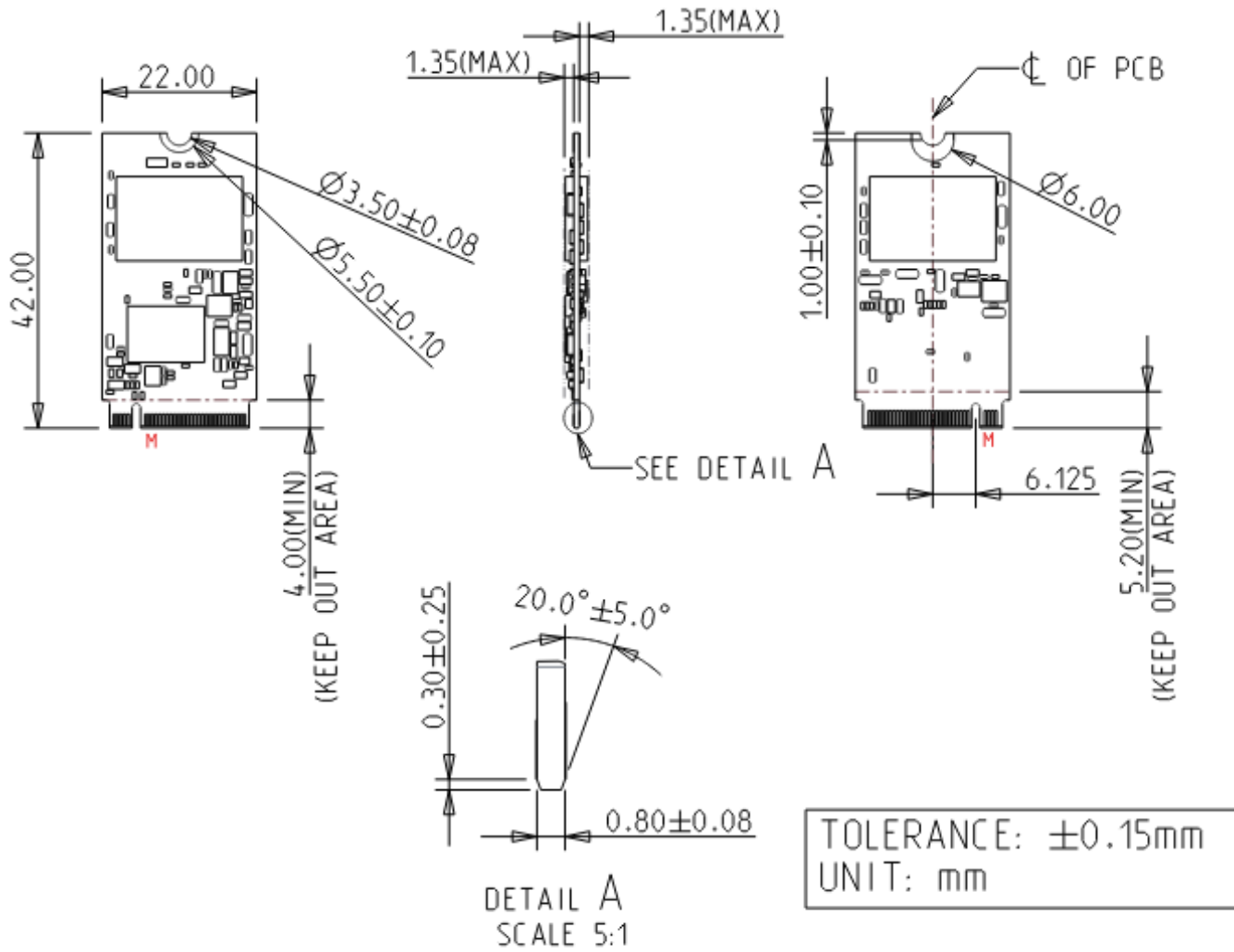
### HIGHLIGHT FEATURES

- Powered by PCIe Gen 3 x4 and NVMe 1.3
- DRAM-less solution
- Anti-vibration mechanical design
- Dynamic Thermal Throttling
- iPower Guard Protection

### SPECIFICATIONS

<b>Model Name</b>	M.2 (P42) 3TE4
<b>Flash Type</b>	3D TLC
<b>Interface</b>	PCIe Gen 3 x4
<b>Form Factor</b>	M.2 2242 M Key
<b>Capacity</b>	128GB ~ 1TB
<b>Sequential R / W (MB/sec, max.)</b>	2,600 / 1,800
<b>P/E Cycle</b>	3,000
<b>TBW (Max.)</b>	1,300
<b>Storage Temperature</b>	-40°C ~ 85°C
<b>Max. Power Consumption</b>	4.0W
<b>Max. Channels</b>	4
<b>External DRAM Buffer</b>	N
<b>H/W Write Protect</b>	N
<b>S.M.A.R.T.</b>	Y
<b>AES</b>	Y
<b>TCG Opal</b>	Y
<b>Dimension (W x L x H/mm)</b>	22.0 x 42.0 x 3.5
<b>Vibration</b>	20G@[7 ~ 2000Hz]
<b>Shock</b>	1500G@0.5ms
<b>MTBF</b>	>3 million hours
<b>Warranty</b>	3 Years

## DIAGRAM



## ORDER INFO.

Operating Temperature	Standard Grade (0°C ~ 70°C)
128GB	DEM24-A28IB1KCADL
256GB	DEM24-B56IB1KCAQL
512GB	DEM24-C12IB1KCAQL
1TB	DEM24-01TIB1KCAQL

For TCG OPAL function, the PN Code 10th ~ 12th will be IB2.

HQ (Taiwan) T +886-2-7703-3000 / E sales@innodisk.com

CN T +86-755-2167-3689 / E sales\_cn@innodisk.com

US T +1-510-770-9421 / E usasales@innodisk.com

EU T +31-40-3045-400 / E eusales@innodisk.com

JP T +81-3-6667-0161 / E jp\_sales@innodisk.com

**innodisk**