



M.2 (P110) 4TG2-P

HIGHLIGHT FEATURES

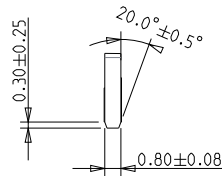
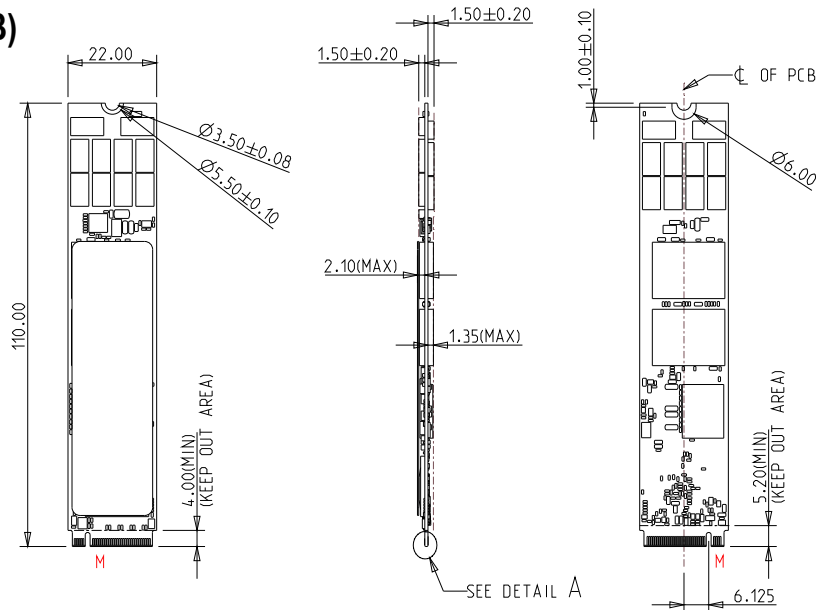
- PCIe Gen 4 x4, NVMe 1.4
- PLP (iCell) technology for power loss protection
- Stable sustained performance
- LDPC ECC engine supported
- Dynamic Thermal Management

SPECIFICATIONS

Model Name	M.2 (P110) 4TG2-P
Flash Type	3D TLC
Interface	PCIe Gen 4 x4
Form Factor	M.2 22110 M Key
Capacity	512GB ~ 8TB
Sequential R / W (MB/sec, max.)	6,950 / 4,700
P/E Cycle	3,000
TBW (Max.)	19,886
Storage Temperature	-40°C ~ 85°C
Max. Power Consumption	10W
Max. Channels	8
External DRAM Buffer	Y
H/W Write Protect	N
S.M.A.R.T.	Y
AES	Y (Optional)
TCG Opal	Y (Optional)
Dimension (W x L x H/mm)	Pure M.2 : 22.0 x 110.0 x 2.87 S/T with heat-spreading copper layer : 22.0 x 110.0 x 3.3 W/T with heat sink : 25.0 x 110.0 x 14.45
Vibration	20G@[7 ~ 2000Hz]
Shock	1500G@0.5ms
MTBF	>3 million hours
Warranty	3 Years

DIAGRAM

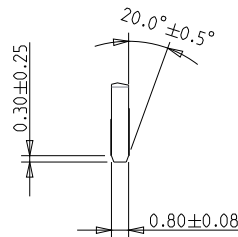
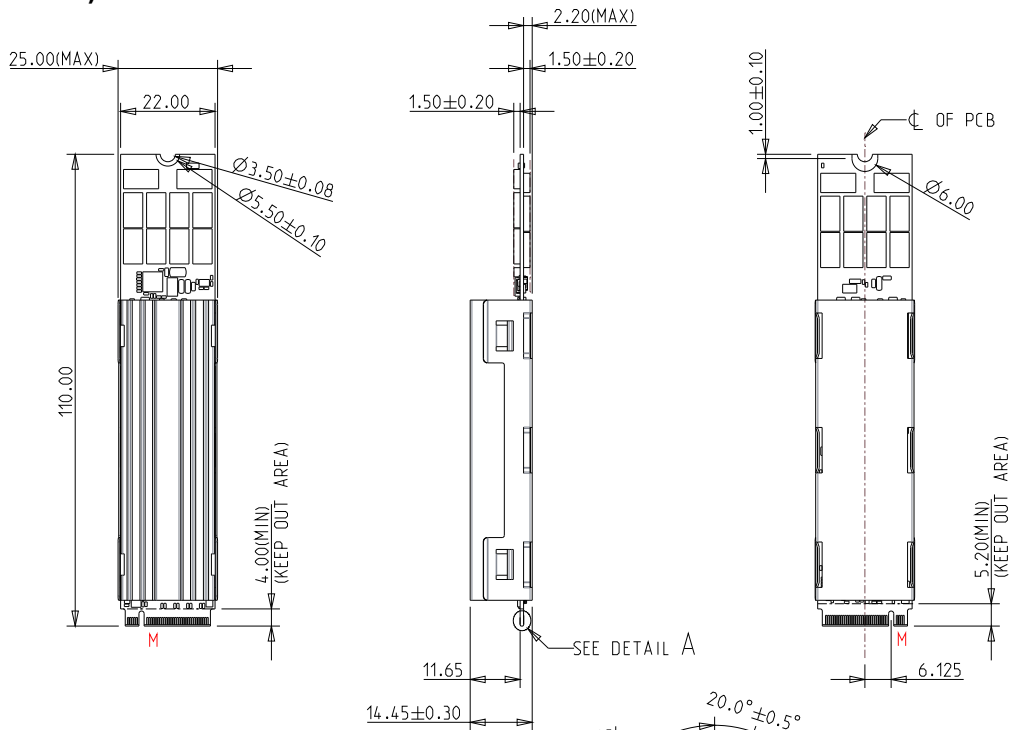
ST (512GB ~ 4TB)



DETAIL A
SCALE 5:1

TOLERANCE: ± 0.15 mm
UNIT: mm

WT (512GB ~ 4TB)



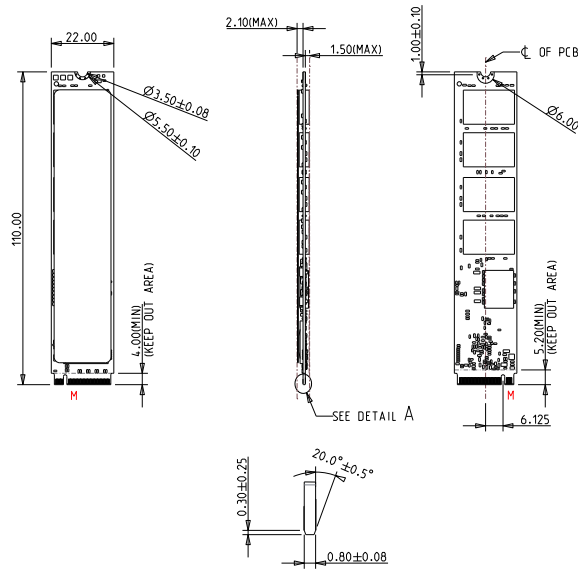
DETAIL A
SCALE 5:1

TOLERANCE: ± 0.15 mm
UNIT: mm

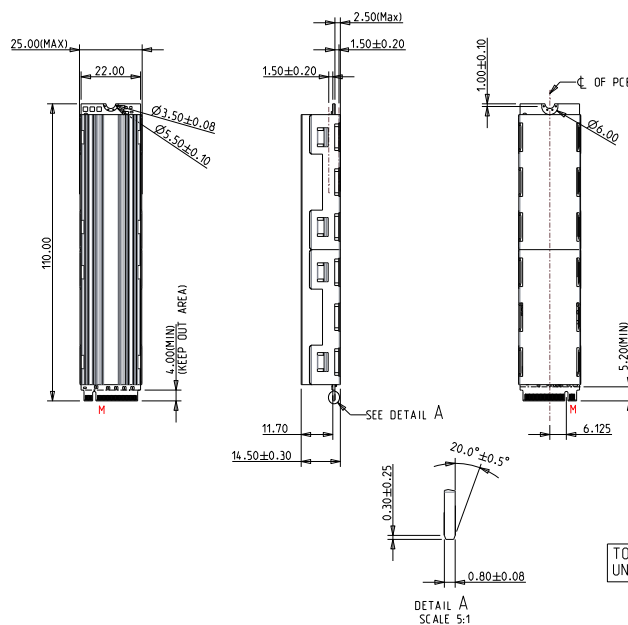
Note: The appearance of silicone oil seeping out from the inside of the thermal pad is a normal occurrence. Silicone oil is not electrically conductive, so it does not impact the functionality of SSD.

DIAGRAM

ST (8TB)



WT (8TB)



Note: The appearance of silicone oil seeping out from the inside of the thermal pad is a normal occurrence. Silicone oil is not electrically conductive, so it does not impact the functionality of SSD.

ORDER INFO.

Operating Temperature	Standard Grade (0°C ~ 70°C)	Industrial Grade (-40°C ~ 85°C)
512GB	DGM21-C12DP1KCBFP	DGM21-C12DP1KWBEFPH
1TB	DGM21-01TDP1KCBFP	DGM21-01TDP1KWBEFPH
2TB	DGM21-02TDP1KCBFP	DGM21-02TDP1KWBEFPH
4TB	DGM21-04TDP1KCBFP	DGM21-04TDP1KWBEFPH
8TB	DGM21-08TDP1KCCFP	DGM21-08TDP1KWCFPH

For TCG Opal function, the PN Code 10th ~12th will be DP2.

HQ (Taiwan) T +886-2-7703-3000 / E sales@innodisk.com

CN T +86-755-2167-3689 / E sales_cn@innodisk.com

US T +1-510-770-9421 / E usasales@innodisk.com

EU T +31-40-3045-400 / E eusales@innodisk.com

JP T +81-3-6667-0161 / E jp_sales@innodisk.com

innodisk