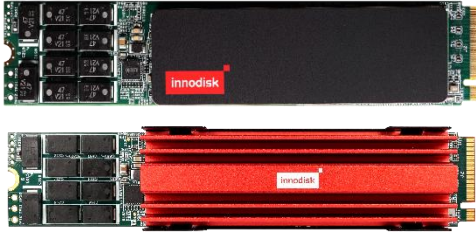


M.2 (P110) 4IG2-P

HIGHLIGHT FEATURES

- PCIe Gen 4 x4, NVMe 1.4
- PLP (iCell) technology for power loss protection
- Stable sustained performance
- LDPC ECC engine supported
- Dynamic Thermal Throttling
- Ultra iSLC technology

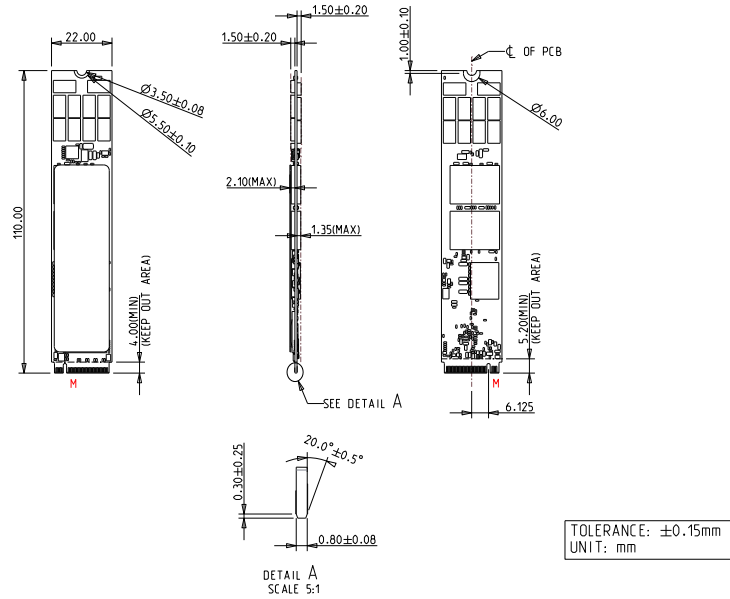


SPECIFICATIONS

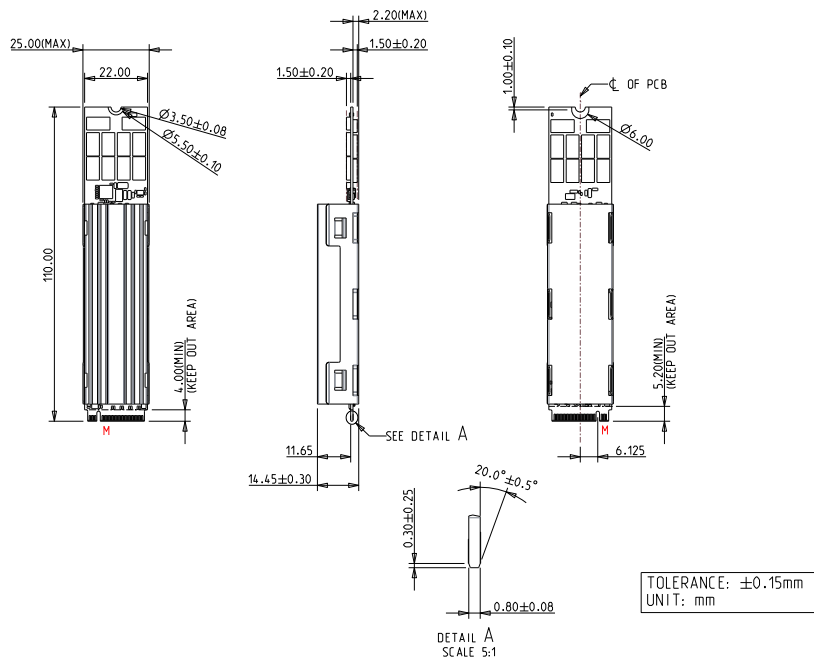
Model Name	M.2 (P110) 4IG2-P
Flash Type	iSLC (3D TLC)
Interface	PCIe Gen 4 x4
Form Factor	M.2 22110 M Key
Capacity	160GB ~ 1.28TB
Sequential R / W (MB/sec, max.)	6,900 / 4,350
P/E Cycle	100,000
TBW (Max.)	85,506
Storage Temperature	-40°C ~ 85°C
Max. Power Consumption	10.2W
Max. Channels	8
External DRAM Buffer	Y
H/W Write Protect	N
S.M.A.R.T.	Y
AES	Y (Optional)
TCG Opal	Y (Optional)
Dimension (W x L x H/mm)	Pure M.2 : 22.0 x 110.0 x 2.87 S/T with heat-spreading copper layer : 22.0 x 110.0 x 3.3 W/T with heat sink : 25.0 x 110.0 x 14.45
Vibration	20G@[7 ~ 2000Hz]
Shock	1500G@0.5ms
MTBF	>3 million hours
Warranty	5 Years

DIAGRAM

ST



WT



Note: The appearance of silicone oil seeping out from the inside of the thermal pad is a normal occurrence. Silicone oil is not electrically conductive, so it does not impact the functionality of SSD.

ORDER INFO.

Operating Temperature	Standard Grade (0°C ~ 70°C)	Industrial Grade (-40°C ~ 85°C)
160GB	DHM21-A60DP1KCBELP	DHM21-A60DP1KWBELPH
320GB	DHM21-D2GDP1KCBELP	DHM21-D2GDP1KWBELPH
640GB	DHM21-F4GDP1KCBELP	DHM21-F4GDP1KWBELPH
1.28TB	DHM21-1T2DP1KCBEQP	DHM21-1T2DP1KWBEPH

For TCG Opal function, the PN Code 10th ~ 12th will be DP2.

HQ (Taiwan) T +886-2-7703-3000 / E sales@innodisk.com

CN T +86-755-2167-3689 / E sales_cn@innodisk.com

US T +1-510-770-9421 / E usasales@innodisk.com

EU T +31-40-3045-400 / E eusales@innodisk.com

JP T +81-3-6667-0161 / E jp_sales@innodisk.com

innodisk