



## M.2 (P110) 4IG2-P

### HIGHLIGHT FEATURES

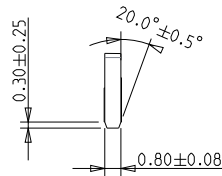
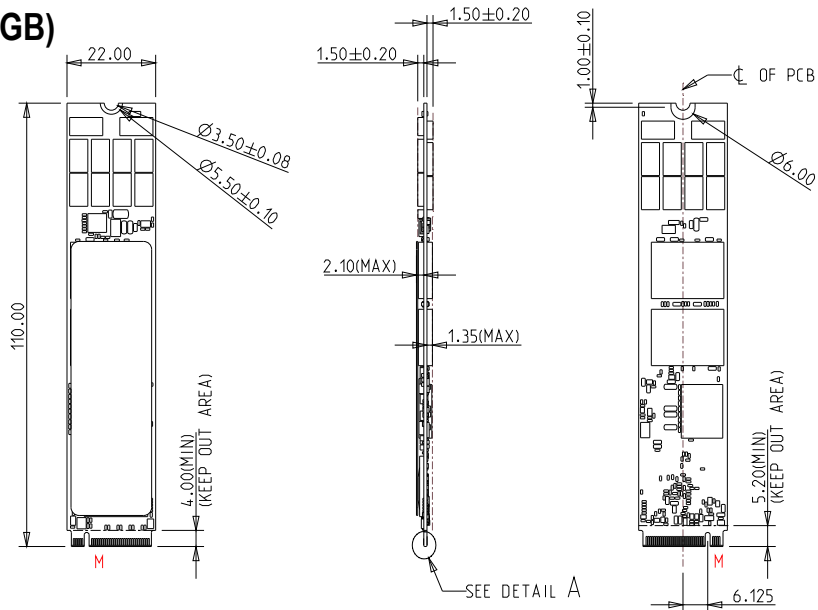
- PCIe Gen 4 x4, NVMe 1.4
- PLP (iCell) technology for power loss protection
- Stable sustained performance
- LDPC ECC engine supported
- Dynamic Thermal Throttling
- Ultra iSLC technology

### SPECIFICATIONS

<b>Model Name</b>	M.2 (P110) 4IG2-P	
<b>Flash Type</b>	iSLC (3D TLC)	
<b>Interface</b>	PCIe Gen 4 x4	
<b>Form Factor</b>	M.2 22110 M Key	
<b>Capacity</b>	160GB ~ 640GB	1.28TB ~ 2.56TB
<b>Sequential R / W (MB/sec, max.)</b>	6,900 / 3,550	6,550 / 4,500
<b>P/E Cycle</b>	100,000	30,000
<b>TBW (Max.)</b>	37,903	51,106
<b>Storage Temperature</b>	-40°C ~ 85°C	
<b>Max. Power Consumption</b>	10.1W	
<b>Max. Channels</b>	8	
<b>External DRAM Buffer</b>	Y	
<b>H/W Write Protect</b>	N	
<b>S.M.A.R.T.</b>	Y	
<b>AES</b>	Y (Optional)	
<b>TCG Opal</b>	Y (Optional)	
<b>Dimension (W x L x H/mm)</b>	Pure M.2 : 22.0 x 110.0 x 2.87 S/T with heat-spreading copper layer : 22.0 x 110.0 x 3.3 W/T with heat sink : 25.0 x 110.0 x 14.45	
<b>Vibration</b>	20G@[7 ~ 2000Hz]	
<b>Shock</b>	1500G@0.5ms	
<b>MTBF</b>	>3 million hours	
<b>Warranty</b>	5 Years	

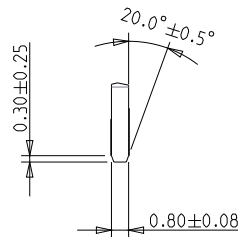
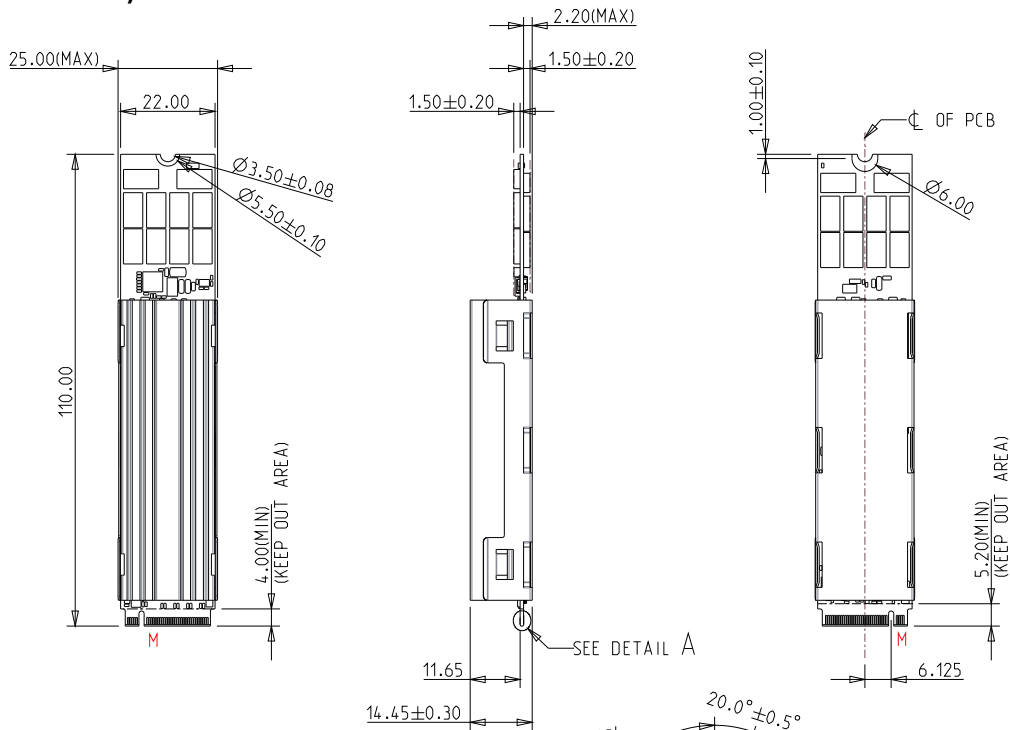
DIAGRAM

ST (160GB ~ 640GB)



TOLERANCE:  $\pm 0.15$ mm  
UNIT: mm

WT (160GB ~ 640GB)

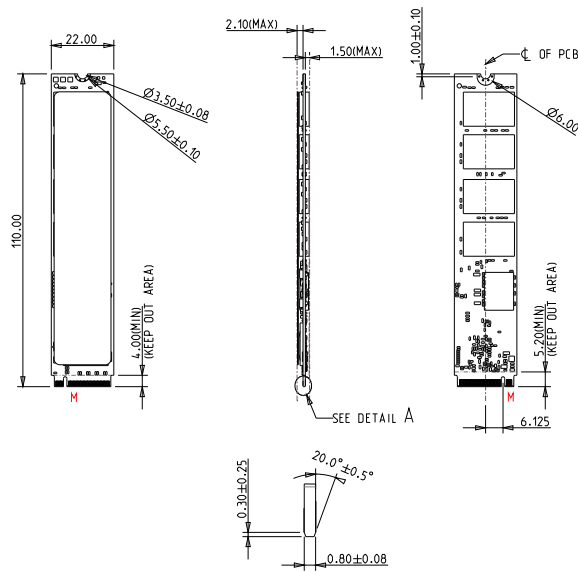


TOLERANCE:  $\pm 0.15$ mm  
UNIT: mm

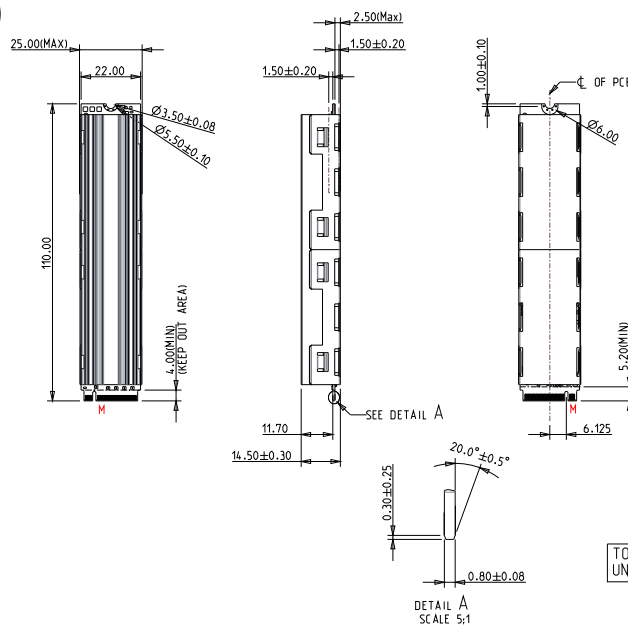
Note: The appearance of silicone oil seeping out from the inside of the thermal pad is a normal occurrence. Silicone oil is not electrically conductive, so it does not impact the functionality of SSD.

## DIAGRAM

## ST (1.28TB ~ 2.56TB)



## WT (1.28TB ~ 2.56TB)



Note: The appearance of silicone oil seeping out from the inside of the thermal pad is a normal occurrence. Silicone oil is not electrically conductive, so it does not impact the functionality of SSD.

## ORDER INFO.

Operating Temperature	Standard Grade (0°C ~ 70°C)	Industrial Grade (-40°C ~ 85°C)
160GB	DHM21-A60DP1KCBFP	DHM21-A60DP1KWBEFPH
320GB	DHM21-D2GDP1KCBFP	DHM21-D2GDP1KWBEFPH
640GB	DHM21-F4GDP1KCBFP	DHM21-F4GDP1KWBEFPH
1.28TB	DHM21-1T2DP1KCBFP	DHM21-1T2DP1KWBEFPH
2.56TB	DHM21-2T5DP1KCEFP	DHM21-2T5DP1KWCEFP

For TCG Opal function, the PN Code 10th ~12th will be DP2.

HQ (Taiwan) T +886-2-7703-3000 / E sales@innodisk.com

CN T +86-755-2167-3689 / E sales\_cn@innodisk.com

US T +1-510-770-9421 / E usasales@innodisk.com

EU T +31-40-3045-400 / E eusales@innodisk.com

JP T +81-3-6667-0161 / E jp\_sales@innodisk.com

innodisk