



## M.2 (P42) 4TE2

### HIGHLIGHT FEATURES

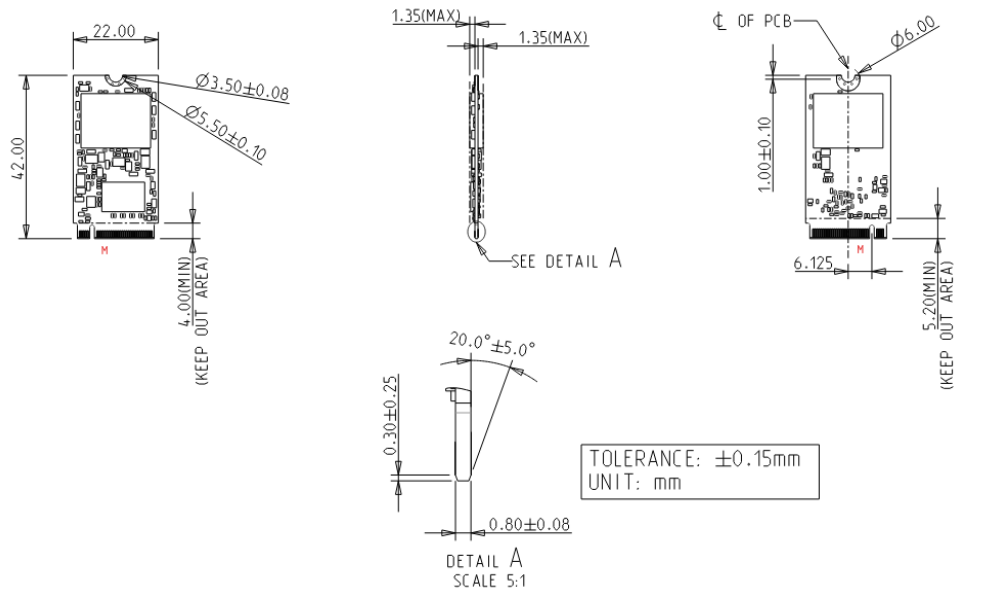
- Equipped with 112-layer 3D TLC NAND Flash
- Excellent data transfer Speed
- Dynamic thermal management
- Support iPower Guard & iData Guard
- Support TCG Opal 2.0 (Optional)

### SPECIFICATIONS

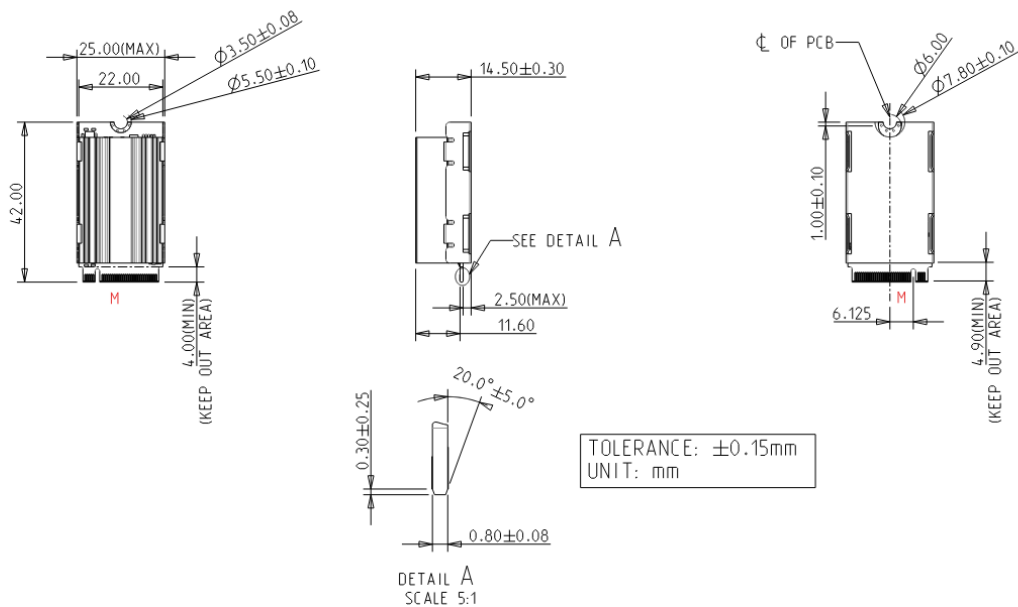
<b>Model Name</b>	M.2 (P42) 4TE2
<b>Flash Type</b>	3D TLC
<b>Interface</b>	PCIe Gen 4 x4
<b>Form Factor</b>	M.2 2242 M Key
<b>Capacity</b>	128GB ~ 2TB
<b>Sequential R / W (MB/sec, max.)</b>	3,550 / 3,100
<b>P/E Cycle</b>	3,000
<b>TBW (Max.)</b>	1,706
<b>Storage Temperature</b>	-40°C ~ 85°C
<b>Max. Power Consumption</b>	5.0W
<b>Max. Channels</b>	4
<b>External DRAM Buffer</b>	N
<b>H/W Write Protect</b>	Y (Optional)
<b>S.M.A.R.T.</b>	Y
<b>AES</b>	Y
<b>TCG Opal</b>	Y
<b>Dimension (W x L x H/mm)</b>	S/T : 22.0 x 42.0 x 3.8 W/T with heatsink : 25.0 x 42.0 x 14.5
<b>Vibration</b>	20G@[7 ~ 2000Hz]
<b>Shock</b>	1500G@0.5ms
<b>MTBF</b>	>3 million hours
<b>Warranty</b>	3 Years

## DIAGRAM

## ST



## WT



The appearance of silicone oil seeping out from the inside of the thermal pad is a normal occurrence. Silicone oil is not electrically conductive, so it does not impact the functionality of SSD.

## ORDER INFO.

Operating Temperature	Standard Grade (0°C ~ 70°C)	Industrial Grade (-40°C ~ 85°C)
128GB	DEM24-A28DF1KCADF	DEM24-A28DF1KWADFH
256GB	DEM24-B56DF1KCAQF	DEM24-B56DF1KWAQFH
512GB	DEM24-C12DF1KCAQF	DEM24-C12DF1KWAQFH
1TB	DEM24-01TDF1KCAQF	DEM24-01TDF1KWAQFH
2TB	DEM24-02TDF1KCAQF	DEM24-02TDF1KWAQFH

For TCG OPAL function, the PN Code 10th ~ 12th will be DF2.

HQ (Taiwan) T +886-2-7703-3000 / E sales@innodisk.com

CN T +86-755-2167-3689 / E sales\_cn@innodisk.com

US T +1-510-770-9421 / E usasales@innodisk.com

EU T +31-40-3045-400 / E eusales@innodisk.com

JP T +81-3-6667-0161 / E jp\_sales@innodisk.com

innodisk