



## Industrial SD Card 3IE4

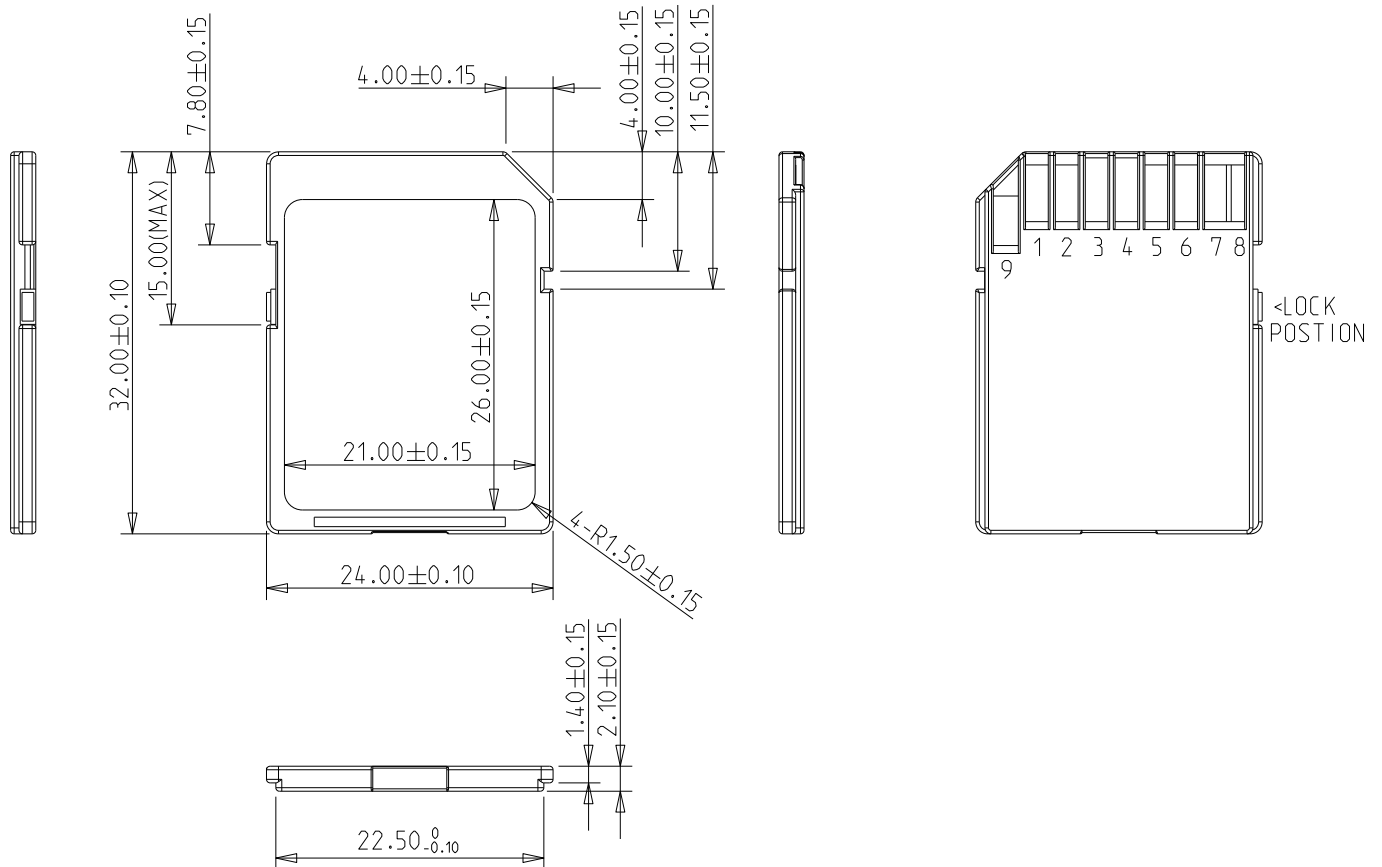
### HIGHLIGHT FEATURES

- Compliant with SD 6.1 / SD 3.0 / SD 2.0 interface
- Supports Class 10 with UHS-III
- Utilizes Ultra iSLC Technology
- High performance
- Power fail management
- LDPC ECC algorithm implement

### SPECIFICATIONS

Model Name	Industrial SD Card 3IE4
Flash Type	iSLC (3D TLC)
Interface	SD 6.1
Form Factor	SD Card
Capacity	16GB ~ 64GB
Sequential R / W (MB/sec, max.)	90 / 80
P/E Cycle	30,000 / 100,000
TBW (Max.)	5,680
Storage Temperature	-40°C ~ 85°C
Max. Power Consumption	0.5W
Max. Channels	1
External DRAM Buffer	N
H/W Write Protect	Y
S.M.A.R.T.	Y
AES	N
TCG Opal	N
Dimension (W x L x H/mm)	24.0 x 32.0 x 2.1
Vibration	20G@[7 ~ 2000Hz]
Shock	1500G@0.5ms
MTBF	>3 million hours
Warranty	5 Years

## DIAGRAM



## ORDER INFO.

Operating Temperature	Extended Grade (-25°C ~ 85°C)	Industrial Grade (-40°C ~ 85°C)
16GB	DHSDC-16GS06KE1SL	DHSDC-16GS06KW1SL
32GB	DHSDC-32GS06KE1SL	DHSDC-32GS06KW1SL
64GB	DHSDC-64GS06KE1SL	DHSDC-64GS06KW1SL

HQ (Taiwan) T +886-2-7703-3000 / E sales@innodisk.com

CN T +86-755-2167-3689 / E sales\_cn@innodisk.com

US T +1-510-770-9421 / E usasales@innodisk.com

EU T +31-40-3045-400 / E eusales@innodisk.com

JP T +81-3-6667-0161 / E jp\_sales@innodisk.com

**innodisk**