

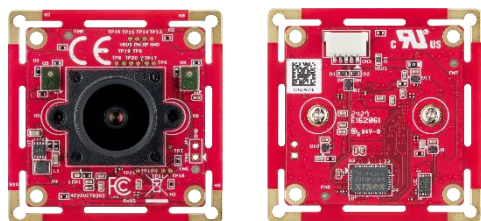


EV2U-SSM1-RLCF

USB 2.0 2MP Fixed Focus Camera Module

HIGHLIGHT FEATURES

- USB 2.0 Interface, 2MP @30fps (Max. Resolution)
- Support Low Light Condition, ISP Inside
- Lens FOV (D / H / V) : 127° / 106° / 56°
- OS Support : Windows, Linux, Android, macOS (UVC)
- Compliant to USB 2.0 and USB Video Class
- Complies with CE / FCC Class A



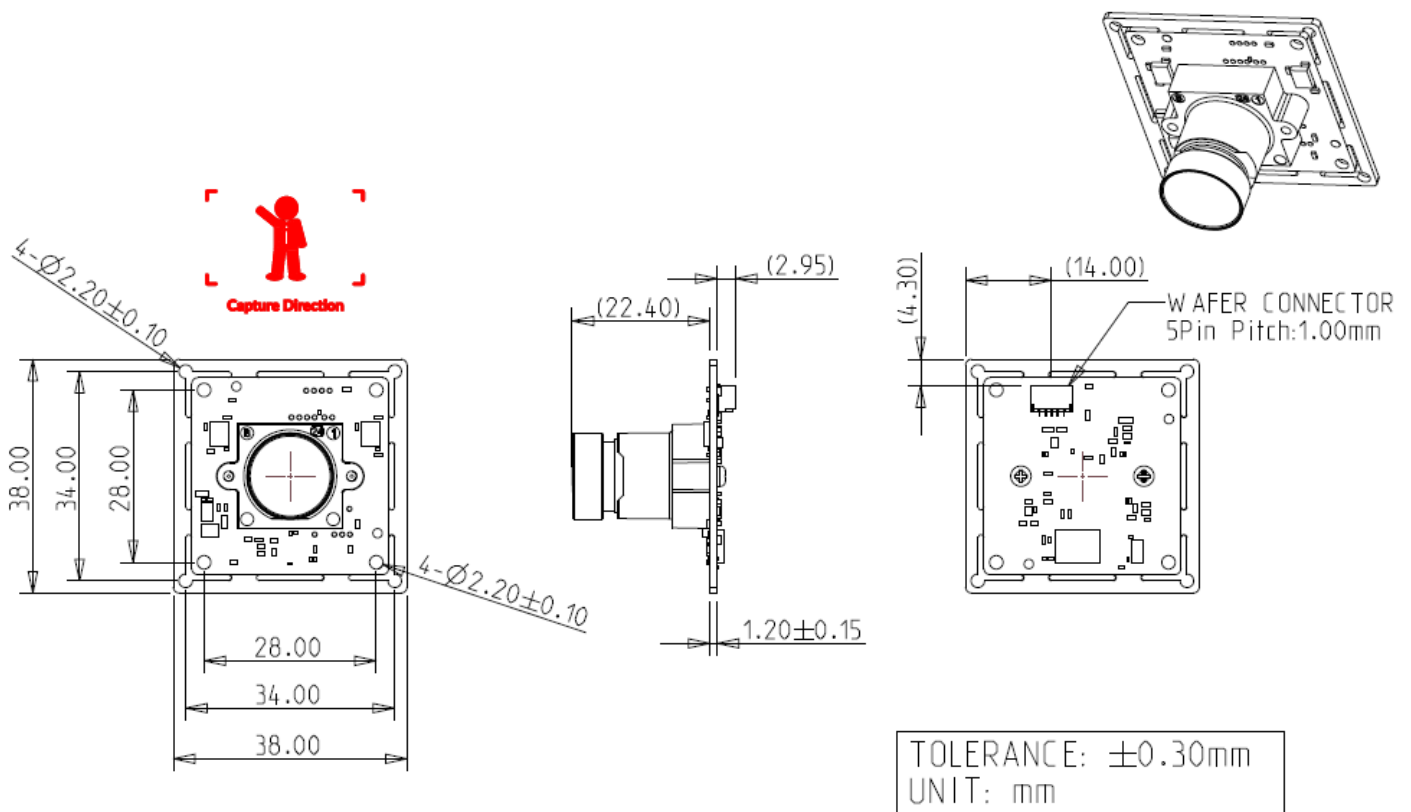
SPECIFICATIONS

Model Name	EV2U-SSM1-RLCF
Module Type	USB 2.0 2MP Fixed Focus Camera Module
Resolution (Max.)	2MP
Frame Rate (Max. Resolution)	30fps
Output I/F	USB 2.0
Sensor	Sony IMX307
Shutter	Rolling
Video Format	YUV422, MJPEG
Power Consumption	Approximate 1W (MJPEG @Max. Resolution)
Operating Temperature	-20°C ~ 70°C
Sensor Size	1/2.8"
Pixel Size	2.9µm
Chroma Type	Color
Lens Type	Fixed Focus (M12)
Dimension (W x L x H/mm)	38 x 38 x 26.6 41.4 x 41.4 x 43.7 (Housing)
Lens FOV (D / H / V)	127° / 106° / 56°
OS Support	Windows / Linux / Android / macOS
Housing	Board Level, Housing
Features	Low light, DMIC
Warranty	3 Years
Note	For detailed resolution and frame rate combined application, please refer to product datasheet.

ORDER INFO.

P/N	Description
EV2U-SSM1-RLCF-11	USB 2.0 2MP Fixed Focus Camera Module (USB cable included) Dimension : 38 x 38
EV2U-SSM1-RLCF-12	USB 2.0 2MP Fixed Focus Camera Module, with DMIC (USB cable included) Dimension : 38 x 38
EV2U-SSM1-RLCF-A1	USB 2.0 2MP Fixed Focus Camera Module (USB cable included) Dimension : 32 x 32
EV2U-SSM1-RLCF-A2	USB 2.0 2MP Fixed Focus Camera Module, with DMIC (USB cable included) Dimension : 32 x 32
EV2U-SSM1-RLCF-21	USB 2.0 2MP Fixed Focus Camera Module, with Housing (USB cable included) Dimension : 41.4 x 41.4
7W2000000160	USB 2.0 cable 1 meter, 5 pins, pitch 1mm

MECHANICAL DRAWING

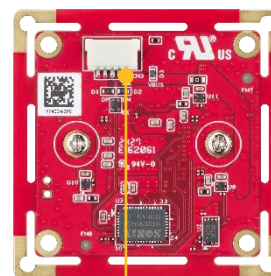


RESOLUTION MATRIX

Resolution	YUV422	MJPEG
1920 x 1080	5 fps	30 / 25 / 20 / 15 / 10 / 5 fps
1280 x 720	10 / 5 fps	30 / 25 / 20 / 15 / 10 / 5 fps
640 x 480	30 / 25 / 20 / 15 / 10 / 5 fps	30 / 25 / 20 / 15 / 10 / 5 fps

CONNECTOR PIN ASSIGNMENT

Pin #	Pin Name	Description
1	VCC	+5V
2	D-	Data-
3	D+	Data+
4	GND	Ground
5	GND	Ground



Pin 1

LENS SPEC.

Items	Specification
F No.	1.6
Focal Length	3.28mm
Lens Structure	2G4P
Mount	M12 x P0.5 (S-Mount)

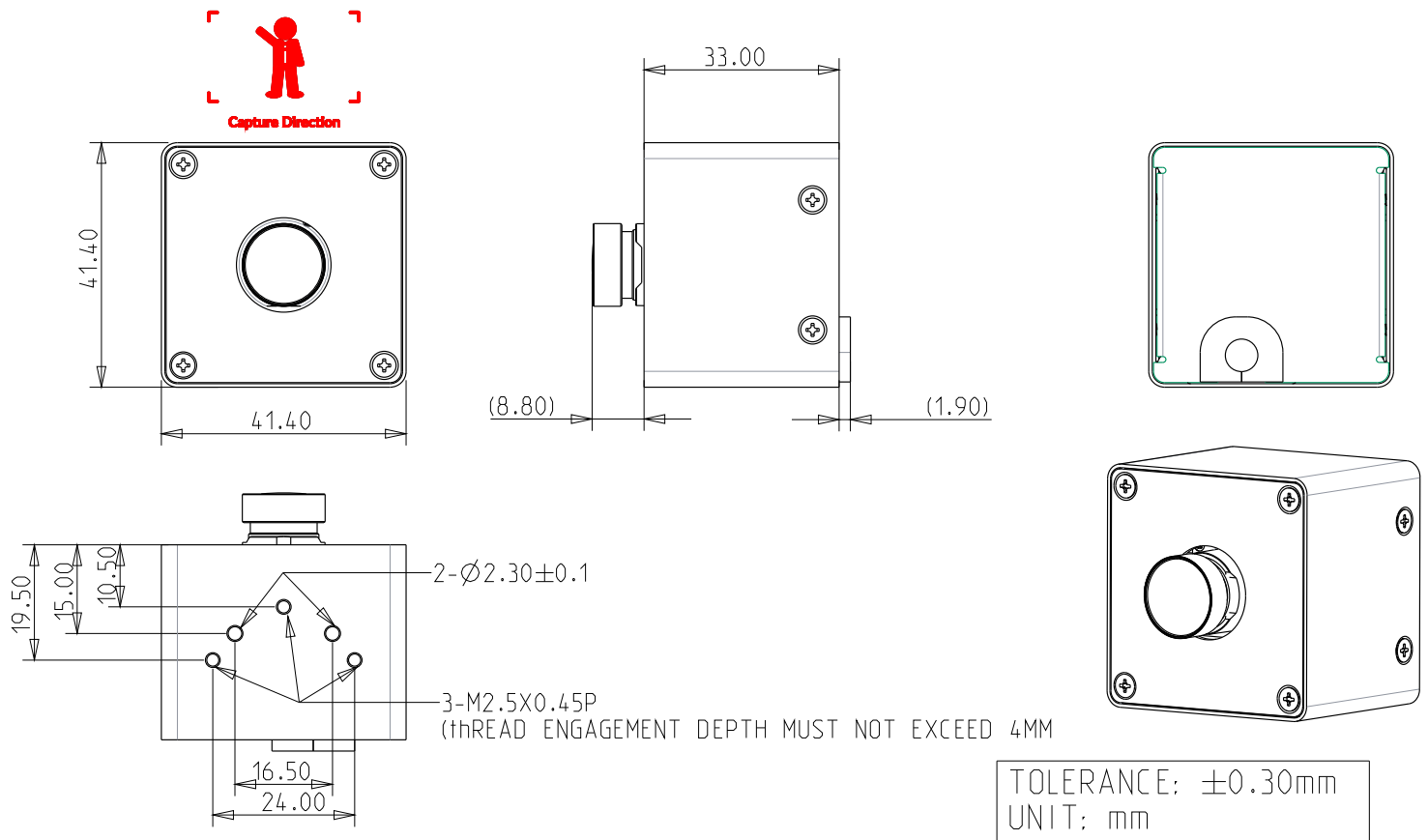
CABLE APPEARANCE



PRODUCT (HOUSING)



MECHANICAL DRAWING (HOUSING)



HQ (Taiwan) T +886-2-7703-3000 / E sales@innodisk.com

CN T +86-755-2167-3689 / E sales_cn@innodisk.com

US T +1-510-770-9421 / E usasales@innodisk.com

EU T +31-40-3045-400 / E eusales@innodisk.com

JP T +81-3-6667-0161 / E jp_sales@innodisk.com

innodisk