

## EMUC-B202

mPCIe to Dual Isolated CAN 2.0B / J1939 / CANopen

### HIGHLIGHT FEATURES

- Compliant with ISO 11898-2
- Supports baud rate up to 100 / 125 / 250 / 500 (Default) / 800 / 1000K
- Up to 7,800 frame/s (Receiving at 1Mbps, EID, 8byte Data)
- Additional driver to support Linux SocketCAN
- Supports SAE J1939 / CANopen high layer protocol (Optional)
- Complies with IEC 60950-1 : 2005 + A1 : 2009 + A2 : 2013  
2.5kV HiPOT Protection
- Complaint with EN61000-4-2 (ESD) Air-15kV, Contact-8kV

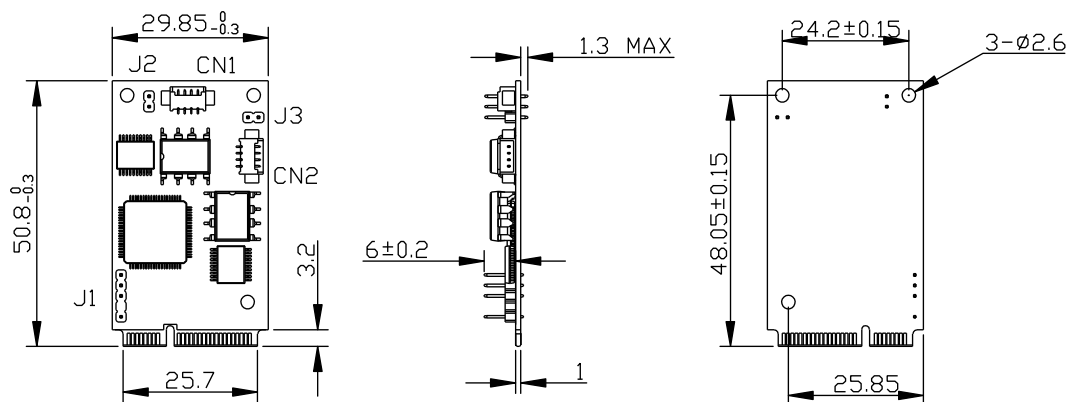
### SPECIFICATIONS

<b>Model Name</b>	EMUC-B202
<b>Module Type</b>	mPCIe to Dual Isolated CAN 2.0B / J1939 / CANopen
<b>Form Factor</b>	mPCIe
<b>Function</b>	CAN Bus
<b>Input I/F</b>	USB 2.0 High Speed (480Mbps)
<b>Output I/F</b>	CAN Bus 2.0B
<b>Output Port</b>	2
<b>Output Connector</b>	DB-9
<b>Max. Power Consumption</b>	3.33W (5V, 665mA ; 3.3V, 1008mA)
<b>Dimension (W x L x H/mm)</b>	30 x 50.9 x 8.35
<b>Temperature</b>	Operation : W/T -40°C ~ 85°C (Ta) Storage : -55°C ~ 95°C (Ta)
<b>Vibration</b>	5G@[7~2000Hz]
<b>Shock</b>	50G@0.5ms
<b>OS Support</b>	Windows : XP (32bit), 7 (32 / 64bit), 8/8.1(32 / 64bit), 10(32 / 64bit), and above version Linux : Kernel 2.6 and above (Native CDC-ACM driver), Kernel 2.6.38 and above (SocketCAN Driver), 32 / 64bit
<b>Warranty</b>	3 Years
<b>Notes</b>	Software API compatible with EMUC-B202 / EGPC-B201.

## ORDER INFO.

P/N	Description
EMUC-B202-W1	mPCIe to Dual Isolated CAN Bus 2.0B Module / Wide Temperature
EMUC-B202-W2	mPCIe to Dual Isolated CAN Bus J1939 Module / Wide Temperature
EMUC-B202-W3	mPCIe to Dual Isolated CAN Bus CANopen Module / Wide Temperature

## MECHANICAL DRAWING



TOLERANCE:  $\pm 0.1$ mm

## PIN DEFINE

CAN DB9 Connector Pin Define		CAN Connector Pin Define	
1	NC	1	NC
2	CAN-L	2	CAN-H
3	GND	3	CAN-L
4	NC	4	GND
5	NC		
6	NC	USB Connector Pin Define	
7	CAN-H	1	5V
8	NC	2	D-
9	NC	3	D+
		4	GND

HQ (Taiwan) T +886-2-7703-3000 / E sales@innodisk.com

CN T +86-755-2167-3689 / E sales\_cn@innodisk.com

US T +1-510-770-9421 / E usasales@innodisk.com

EU T +31-40-3045-400 / E eusales@innodisk.com

JP T +81-3-6667-0161 / E jp\_sales@innodisk.com

**innodisk**