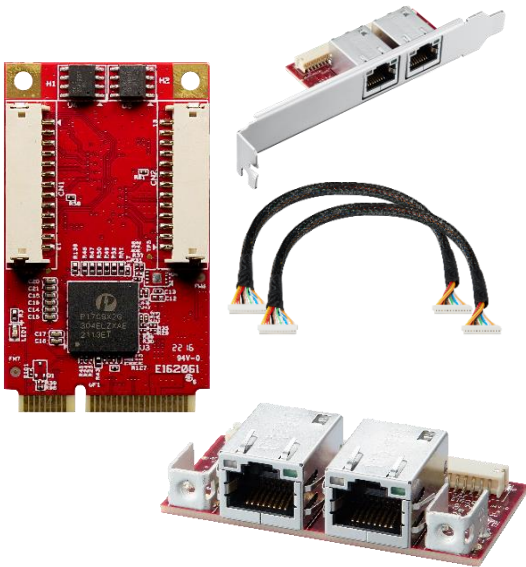


EMPL-22S2

mPCIe to Dual Isolated 2.5GbE LAN Module

HIGHLIGHT FEATURES

- Intel i226 controller
- Complies with IEC 60950-1 : 2005 + A1 : 2009 + A2 : 2013 2kV HiPOT protection
- Complies with EN61000-4-2 (ESD) Air-15kV, Contact-8kV
- Flexible daughter board with cable to fit into different system
- Industrial temperature -40 °C to 85 °C
- Industrial design, manufactured in Innodisk Taiwan



SPECIFICATIONS

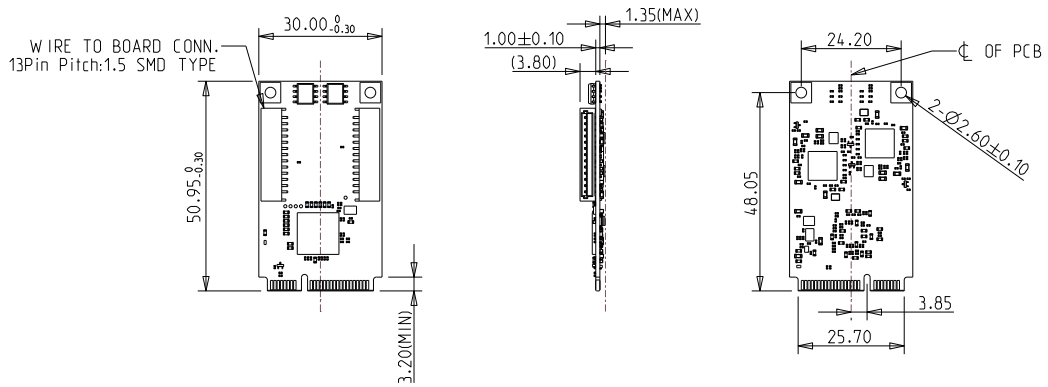
| | |
|---------------------------------|---|
| Model Name | EMPL-22S2 |
| Module Type | mPCIe to Dual Isolated 2.5GbE LAN Module |
| Form Factor | mPCIe |
| Function | LAN |
| Input I/F | PCI Express 2.1 x2 |
| Output I/F | 2.5GbE LAN |
| Output Port | 2 |
| Output Connector | RJ45 |
| Max. Power Consumption | 3.8W (3.3V, 1154mA) |
| Dimension (W x L x H/mm) | Main Board : 30 x 50.9 x 6.15 Daughter Board : 50 x 28 x 19.37 |
| Temperature | Operation : S/T 0°C ~ 70°C ; W/T -40°C ~ 85°C (Ta) Storage : -55°C ~ 95°C (Ta) |
| Vibration | 5G@[7~2000Hz] |
| Shock | 50G@0.5ms |
| OS Support | Windows : 10 (64bit), and above version Linux (igc) : Kernel 5.16.18 |
| Warranty | 3 Years |
| Notes | <ul style="list-style-type: none">• Please download Windows driver from Intel official website.• Linux upstream kernel release from 5.16.18 (inbox igc driver)• The speed might be \leq 1.6 Gbits/sec when using dual LAN at the same time.• Not recommend used in VMware ESXi due to High Latency.• Not support Intel vPro. |

ORDER INFO.

| P/N | Description |
|--------------|---|
| EMPL-22S2-C1 | mPCIe to Dual Isolated 2.5GbE LAN Horizontal Module, Mounting Hole / Standard Temperature |
| EMPL-22S2-W1 | mPCIe to Dual Isolated 2.5GbE LAN Horizontal Module, Mounting Hole / Wide Temperature |
| EMPL-22S2-C2 | mPCIe to Dual Isolated 2.5GbE LAN Horizontal Module, Bracket / Standard Temperature |
| EMPL-22S2-W2 | mPCIe to Dual Isolated 2.5GbE LAN Horizontal Module, Bracket / Wide Temperature |

MECHANICAL DRAWING

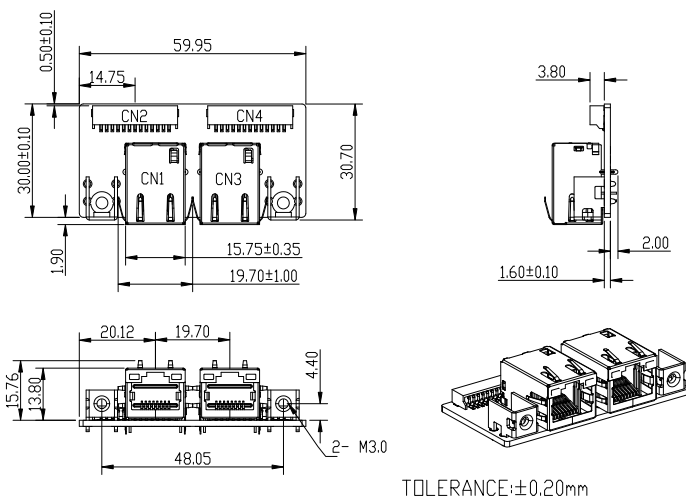
Main Board



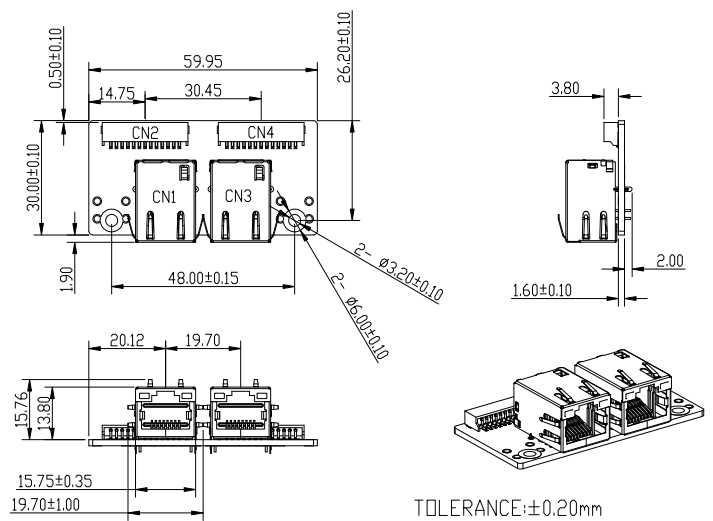
TOLERANCE: ±0.30mm
UNIT: mm

Daughter Board

EMP-22S2-C(W)1



EMP-22S2-C(W)2



HQ (Taiwan) T +886-2-7703-3000 / E sales@innodisk.com

CN T +86-755-2167-3689 / E sales_cn@innodisk.com

US T +1-510-770-9421 / E usasales@innodisk.com

EU T +31-40-3045-400 / E eusales@innodisk.com

JP T +81-3-6667-0161 / E jp_sales@innodisk.com

