



EMP2-X801

mPCIe to Eight RS-232 / 422 / 485 Module

HIGHLIGHT FEATURES

- PCIe 2.0 compliant. RS-232 / 422 / 485 mode configurable by software
- 4800 to 3Mbps serial data rate (RS-232 921.6Kbps) serial data rate. 16C550 compatible. 256-byte FIFOs
- Industrial temperature (-40°C to 85°C) operation
- Flexible design with cable and daughter board x 8 (DB-9 connectors)
- Termination resistor and 5V / 12V output by jumper setting on daughterboard
- ESD (Electrostatic Discharge) protection circuit to prevent system damage

SPECIFICATIONS

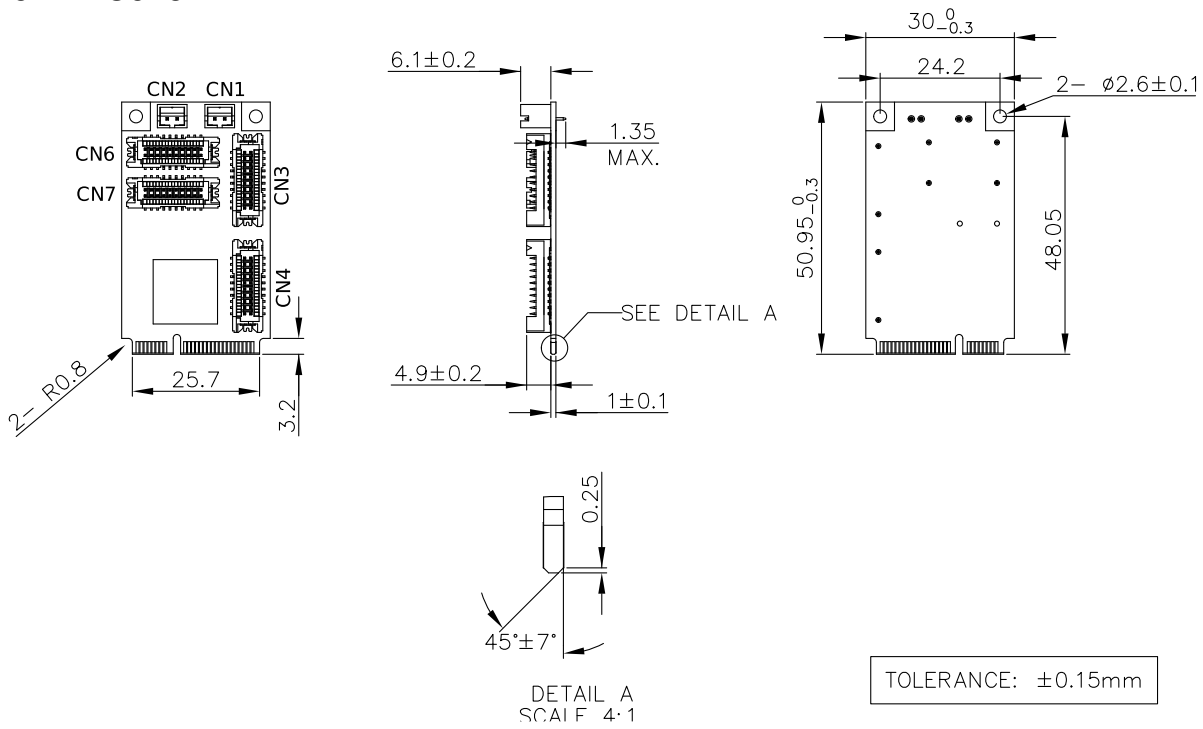
Model Name	EMP2-X801
Module Type	mPCIe to Eight RS-232 / 422 / 485 Module
Form Factor	mPCIe
Function	Serial
Input I/F	PCI Express 2.0 x1
Output I/F	RS-232 / RS-422 / RS-485
Output Port	8
Output Connector	DB-9
Max. Power Consumption	0.478W (3.3V, 145mA)
Dimension (W x L x H/mm)	30 x 50.9 x 8.45
Temperature	Operation : W/T -40°C ~ 85°C (Ta) Storage : -55°C ~ 95°C (Ta)
Vibration	5G@[7~2000Hz]
Shock	50G@0.5ms
OS Support	Windows : XP (32 bit), 7 (32 / 64 bit), 8 / 8.1 (32 / 64 bit), 10, and above version, WES7, CE7.0 Linux : Kernel 2.6.x and above
Warranty	3 Years
Notes	Innodisk can provide Linux source for modification.

ORDER INFO.

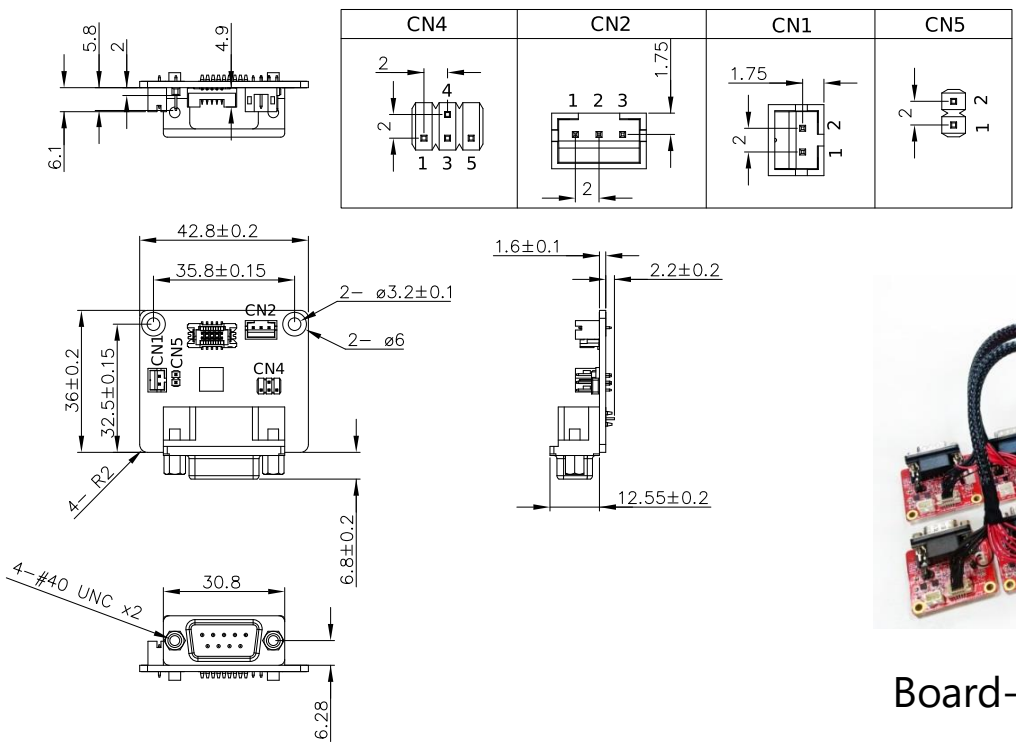
P/N	Description
EMP2-X801-W1	mPCIe to Eight RS-232 / 422 / 485 Module / Wide Temperature

MECHANICAL DRAWING

Main Board



Daughter Board



Board-to-board Cable

PIN DEFINE

Pin	DB9 Pin Define		
	RS-232	RS-422 RS-485	RS-485
		Full Duplex	Half Duplex
1	DCD	TX-	D-
2	RX	TX+	D+
3	TX	RX+	
4	DTR	RX-	
5	GND	GND	GND
6	DSR		
7	RTS		
8	CTS		
9	RI / 5V / 12V	5V / 12V	5V / 12V

HQ (Taiwan) T +886-2-7703-3000 / E sales@innodisk.com

CN T +86-755-2167-3689 / E sales_cn@innodisk.com

US T +1-510-770-9421 / E usasales@innodisk.com

EU T +31-40-3045-400 / E eusales@innodisk.com

JP T +81-3-6667-0161 / E jp_sales@innodisk.com

