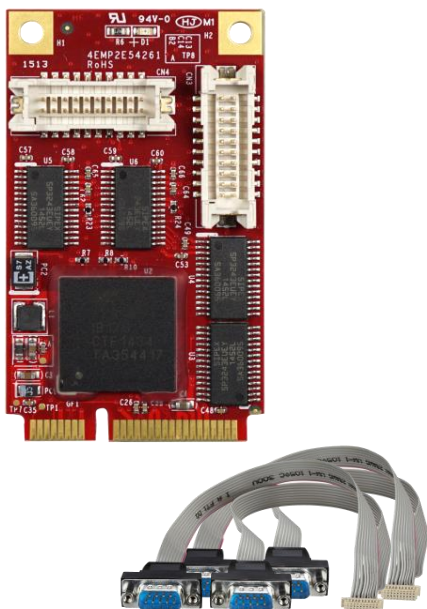


EMP2-X403

mPCIe to Four RS232 Module



HIGHLIGHT FEATURES

- PCI-Express specification Rev. 2.0 compliant
- 4800 to 921.6Kbps serial data rate. 16550 compatible. 256-byte FIFOs
- Industrial temperature (-40°C to 85°C) operation
- Flexible design with DB-9 connectors and cable
- ESD up to 15KV (Electrostatic Discharge) protection circuit to prevent system damage
- Supports CTS / RTS hardware flow control
- 30μ" golden finger, 3 years warranty
- Industrial design, manufactured in Innodisk Taiwan

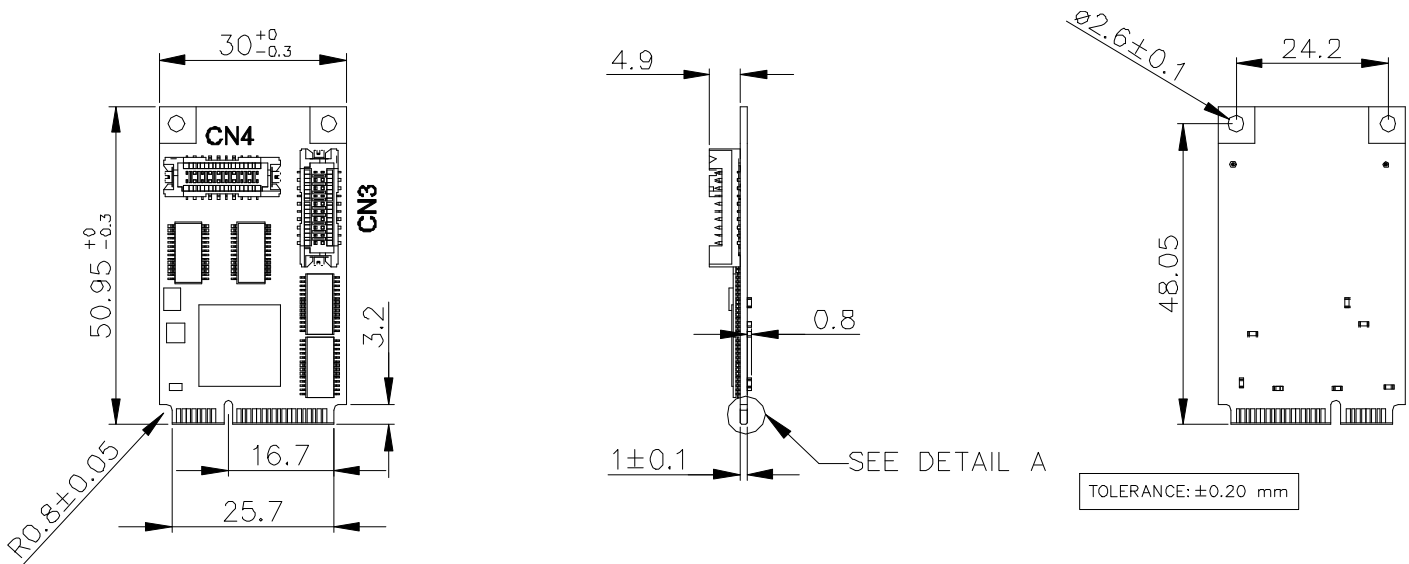
SPECIFICATIONS

Model Name	EMP2-X403
Module Type	mPCIe to Four RS232 Module
Form Factor	mPCIe
Function	Serial
Input I/F	PCI Express 2.0 x1
Output I/F	RS-232
Output Port	4
Output Connector	DB-9
Max. Power Consumption	0.45W (3.3V, 135mA)
Dimension (W x L x H/mm)	30 x 50.9 x 6.7
Temperature	Operation : W/T -40°C ~ 85°C (Ta) Storage : -55°C ~ 95°C (Ta)
Vibration	5G@[7~2000Hz]
Shock	50G@0.5ms
OS Support	Windows : XP (32 bit), 7 (32 / 64 bit), 8 / 8.1 (32 / 64 bit), 10, and above version, WES7, CE7.0 Linux : Kernel 2.6.x and above
Warranty	3 Years
Notes	Innodisk can provide Linux source for modification.

ORDER INFO.

P/N	Description
EMP2-X403-W1	mPCIe to Four RS232 Module / Wide Temperature

MECHANICAL DRAWING



PIN DEFINE

Pin	RS-232 Pin Assignment
1	CD
2	RXD
3	TXD
4	DTR
5	GND
6	DSR
7	RTS
8	CTS
9	RI

HQ (Taiwan) T +886-2-7703-3000 / E sales@innodisk.com

CN T +86-755-2167-3689 / E sales_cn@innodisk.com

US T +1-510-770-9421 / E usasales@innodisk.com

EU T +31-40-3045-400 / E eusales@innodisk.com

JP T +81-3-6667-0161 / E jp_sales@innodisk.com

innodisk