

EMP2-X202

mPCIe to Dual RS422 / 485 Module

HIGHLIGHT FEATURES

- Mini PCIe 2.0 compliant. RS-422 / 485 module card configurable by switch. Supports 485HD (Half Duplex) and 485FD (Full Duplex)
- 4800 to 3Mbps serial data rate. 16C550 compatible. 256-byte FIFOs
- Industrial temperature (-40°C to 85°C) operation
- Flexible design with DB-9 connectors and cable
- Termination resistor by jumper setting
- ESD up to 15KV (Electrostatic Discharge) protection circuit to prevent system damage

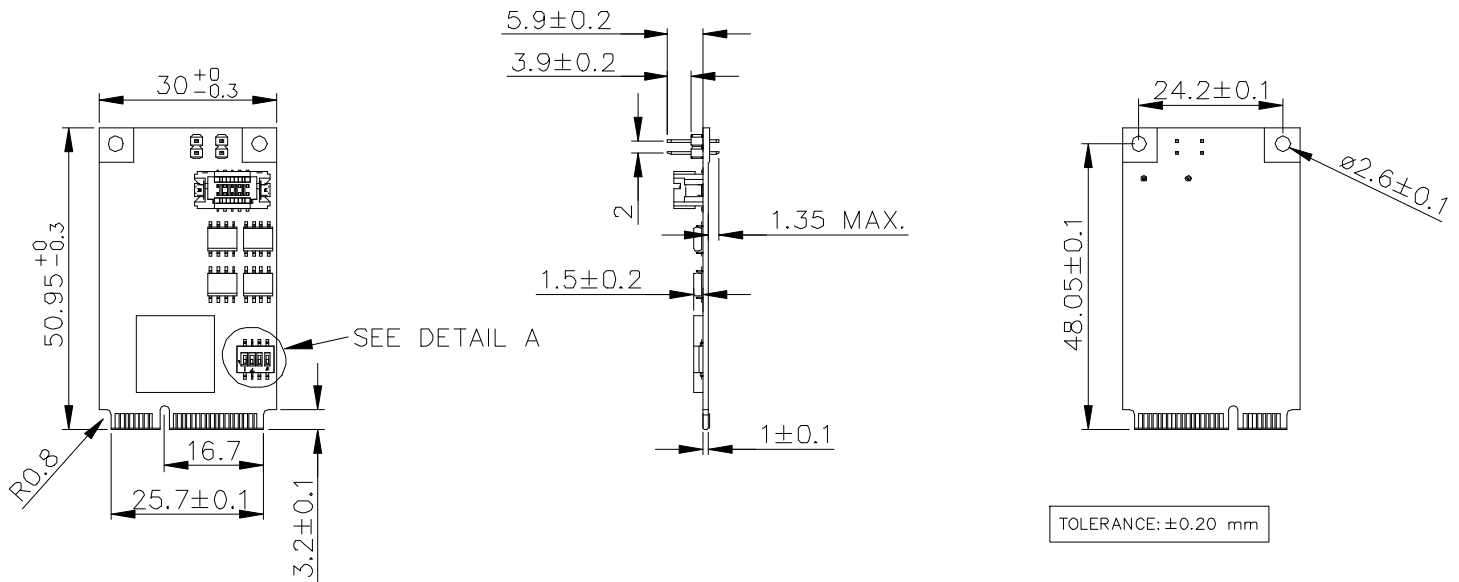
SPECIFICATIONS

Model Name	EMP2-X202
Module Type	mPCIe to Dual RS422 / 485 Module
Form Factor	mPCIe
Function	Serial
Input I/F	PCI Express 2.0 x1
Output I/F	RS-422 / RS-485
Output Port	2
Output Connector	DB-9
Max. Power Consumption	0.33W (3.3V, 100mA)
Dimension (W x L x H/mm)	30 x 50.9 x 8.25
Temperature	Operation : W/T -40°C ~ 85°C (Ta) Storage : -55°C ~ 95°C (Ta)
Vibration	5G@[7~2000Hz]
Shock	50G@0.5ms
OS Support	Windows : XP (32 bit), 7 (32 / 64 bit), 8 / 8.1 (32 / 64 bit), 10, and above version, WES7, CE7.0 Linux : Kernel 2.6.x and above
Warranty	3 Years
Notes	Innodisk can provide Linux source for modification.

ORDER INFO.

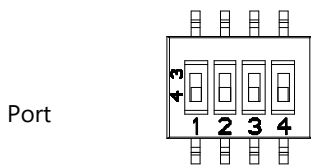
P/N	Description
EMP2-X202-W1	mPCIe to Dual x RS-422 / 485 Module / Wide Temperature

MECHANICAL DRAWING



PIN DEFINE

RS-485
Half Duplex



RS-485 / 422
Full Duplex

RS-485 / 422 Full Duplex	Pin	RS-485 Half Duplex
TX-	1	D-
TX+	2	D+
RX+	3	
RX-	4	
GND	5	GND
	6	
	7	
	8	
	9	

HQ (Taiwan) T +886-2-7703-3000 / E sales@innodisk.com

CN T +86-755-2167-3689 / E sales_cn@innodisk.com

US T +1-510-770-9421 / E usasales@innodisk.com

EU T +31-40-3045-400 / E eusales@innodisk.com

JP T +81-3-6667-0161 / E jp_sales@innodisk.com

