



## EGPU-3201

M.2 to Dual USB 3.0 Module

### HIGHLIGHT FEATURES

- Alternative M.2 2260 or 2280 B+M Key
- Compliant with PCI Express Base Specification Revision 2.0
- Supports 2 USB 3.0 ports (Share PCIe 2.0 x1 bandwidth)
- Supports each USB port output power up to 5V 900mA with external power in (200mA per port without external power)
- Complies with EN61000-4-2 (ESD) Air-15kV, Contact-8kV
- Optional industrial temperature (40°C to 85°C) support

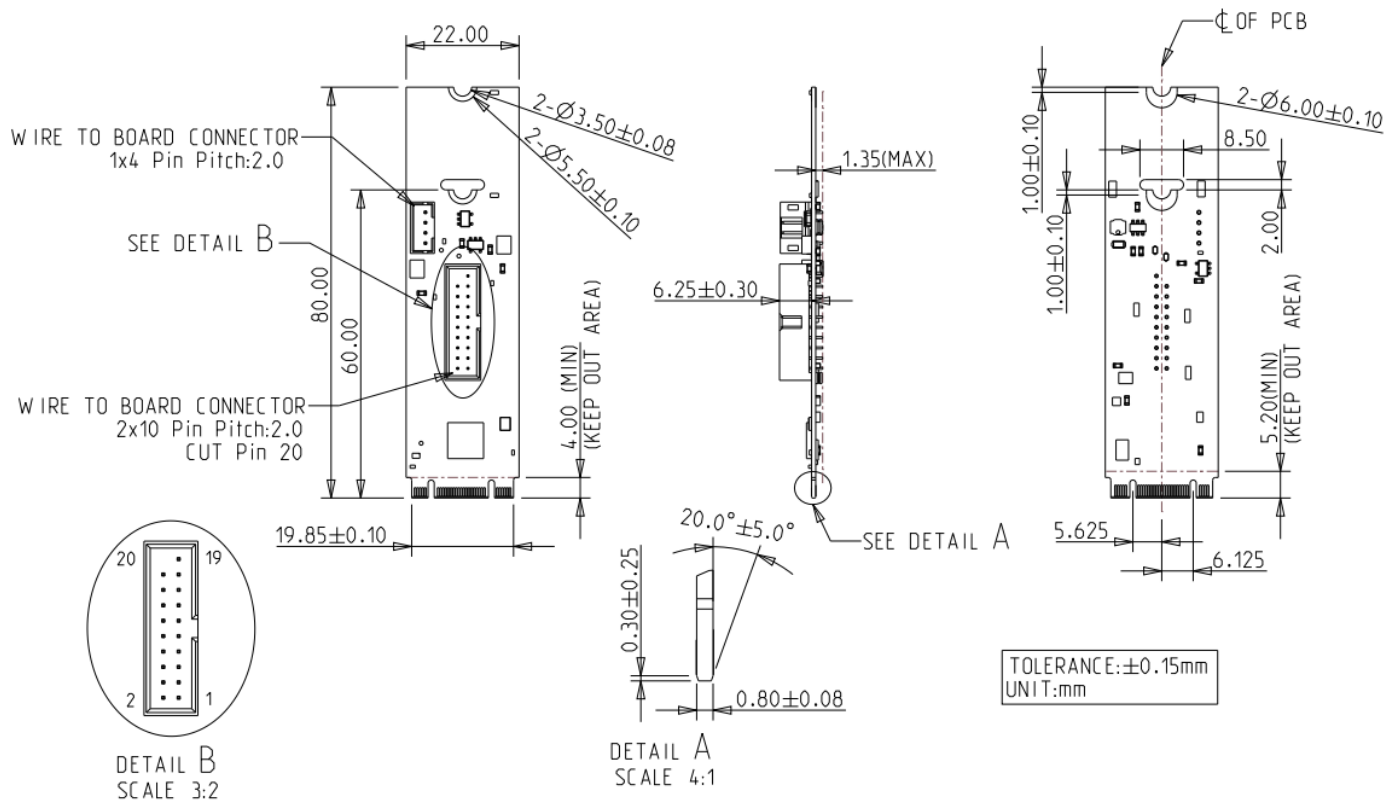
### SPECIFICATIONS

<b>Model Name</b>	EGPU-3201
<b>Module Type</b>	M.2 to Dual USB 3.0 Module
<b>Form Factor</b>	M.2 2260 B+M Key / M.2 2280 B+M Key
<b>Function</b>	Storage
<b>Input I/F</b>	PCI Express 2.0 x1
<b>Output I/F</b>	USB 3.0
<b>Output Port</b>	1
<b>Output Connector</b>	19-pin Header
<b>Max. Power Consumption</b>	1W (3.3V, 303mA)
<b>Dimension (W x L x H/mm)</b>	22.0 x 60.0 x 8.4 / 22.0 x 80.0 x 8.4
<b>Temperature</b>	Operation : S/T 0°C ~ 70°C ; W/T -40°C ~ 85°C (Ta) Storage : -55°C ~ 95°C (Ta)
<b>Vibration</b>	5G@[7~2000Hz]
<b>Shock</b>	50G@0.5ms
<b>OS Support</b>	Windows : XP (32bit), 7 (32 / 64bit), Vista 10 (32 / 64bit), and above version Linux : Kernel v2.6.0, v2.6.8
<b>Warranty</b>	3 Years
<b>Notes</b>	After Win8 and Linux Kernel v2.6.31 supports built-in xHCI 1.0.

# ORDER INFO.

P/N	Description
EGPU-3201-C1	M.2 2260 to Dual USB 3.0 Module / Standard Temperature
EGPU-3201-C2	M.2 2280 to Dual USB 3.0 Module / Standard Temperature
EGPU-3201-W1	M.2 2260 to Dual USB 3.0 Module / Wide Temperature
EGPU-3201-W2	M.2 2280 to Dual USB 3.0 Module / Wide Temperature

## MECHANICAL DRAWING



Signal	Pin	Pin	Signal
Vbus	1		
IntA_P1_SSRX-	2	19	Vbus
IntA_P1_SSRX+	3	18	IntA_P1_SSRX-
GND	4	17	IntA_P2_SSRX+
IntA_P1_SSTX-	5	16	GND
IntA_P1_SSTX+	6	15	IntA_P2_SSTX-
GND	7	14	IntA_P2_SSTX+
IntA_P1_D-	8	13	GND
IntA_P1_D+	9	12	IntA_P2_D-
	10	11	IntA_P2_D+

HQ (Taiwan) T +886-2-7703-3000 / E sales@innodisk.com

CN T +86-755-2167-3689 / E sales\_cn@innodisk.com

US T +1-510-770-9421 / E usasales@innodisk.com

EU T +31-40-3045-400 / E eusales@innodisk.com

JP T +81-3-6667-0161 / E jp\_sales@innodisk.com

