



## EGPC-B4S1

M.2 to Four Isolated CAN Bus 2.0B / J1939 / CANopen

### HIGHLIGHT FEATURES

- Baud rate up to 10 / 20 / 50 / 100 / 250 / 500 / 800 / 1000K
- SAE J1939 / CANopen high layer protocol (Optional)
- Meets the Requirements of the ISO 11898-1
- Compliant with IEC 60950-1 : 2005 + A1 : 2009 + A2 : 2013 2.5kV HiPOT protection
- Compliant with EN61000-4-2 (ESD) Air-15kV, Contact-8kV
- Supports CAN message acceptance filter
- Supports Linux SocketCAN
- Termination resistor enabled / disabled by switch

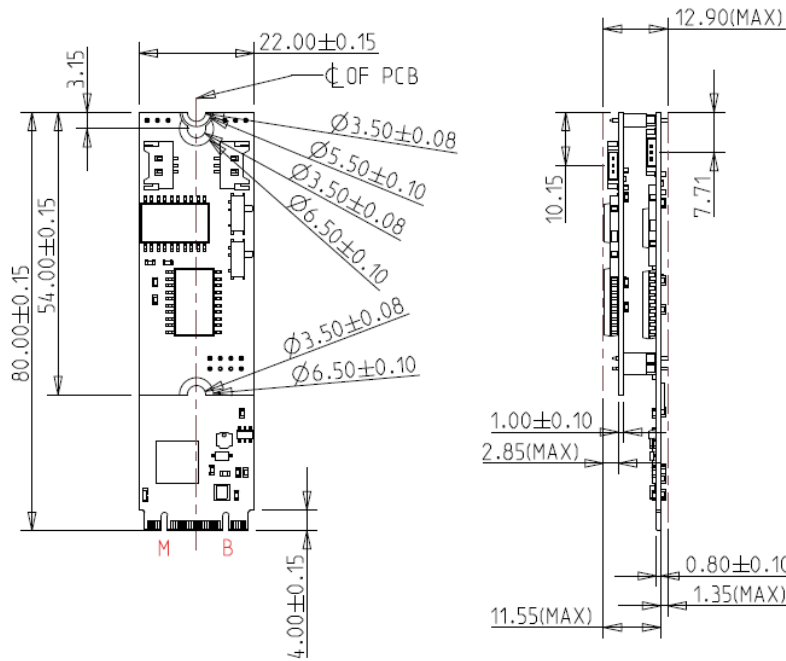
### SPECIFICATIONS

<b>Model Name</b>	EGPC-B4S1
<b>Module Type</b>	M.2 to Four Isolated CAN Bus 2.0B / J1939 / CANopen Module
<b>Form Factor</b>	M.2 2280 B+M Key
<b>Function</b>	CAN Bus
<b>Input I/F</b>	PCI Express 1.1 x1
<b>Output I/F</b>	CAN Bus 2.0B
<b>Output Port</b>	4
<b>Output Connector</b>	DB-9
<b>Max. Power Consumption</b>	4.3W (3.3V, 1310mA)
<b>Dimension (W x L x H/mm)</b>	22 x 80 x 12.9
<b>Temperature</b>	Operation : W/T -40°C ~ 85°C (Ta) Storage : -55°C ~ 95°C (Ta)
<b>Vibration</b>	5G@[7~2000Hz]
<b>Shock</b>	50G@0.5ms
<b>OS Support</b>	Windows : 7 (32 / 64bit), 8 / 8.1 (32 / 64bit), 10 (32 / 64bit), and above version Linux : SocketCAN driver from Kernel 2.6.38 and above (32 / 64bit)
<b>Warranty</b>	3 Years
<b>Notes</b>	--

# ORDER INFO.



P/N	Description
EGPC-B4S1-W1	M.2 2280 to Four Isolated CAN Bus 2.0B Module
EGPC-B4S1-W2	M.2 2280 to Four Isolated J1939 / CANopen Module

# MECHANICAL DRAWING



TOLERANCE: ±0.3mm  
UNIT: mm

# PIN DEFINE

CAN DB9 Connector Pin Define		3Pin CAN Connector Pin Define	
1	NC	1	CAN-L
2	CAN-L	2	CAN-H
3	GND	3	GND
4	NC	<div style="text-align: center;"> <b>Side Switch (Termination Resistor)</b> </div>	
5	NC		
6	NC		
7	CAN-H		
8	NC		
9	NC	1	Enable 
		2	Disable 

HQ (Taiwan) T +886-2-7703-3000 / E sales@innodisk.com

CN T +86-755-2167-3689 / E sales\_cn@innodisk.com

US T +1-510-770-9421 / E usasales@innodisk.com

EU T +31-40-3045-400 / E eusales@innodisk.com

JP T +81-3-6667-0161 / E jp\_sales@innodisk.com

