

## EGP2-X403

M.2 2242 to Four RS-232 Module

### HIGHLIGHT FEATURES

- PCI Express base spec 1.1 compliant
- 4800bps to 921.6Kbps serial data rate
- Compatible with 16C550 / 16C650 / 16C750 / 16C850 / 16C950, 128-byte FIFOs
- Full RS-232 functions with DB9 connector
- Alternative vertical or horizontal connector
- Complies with EN61000-4-2 (ESD) Air-15kV, Contact-8kV
- Operating temperature from -40°C to 85°C

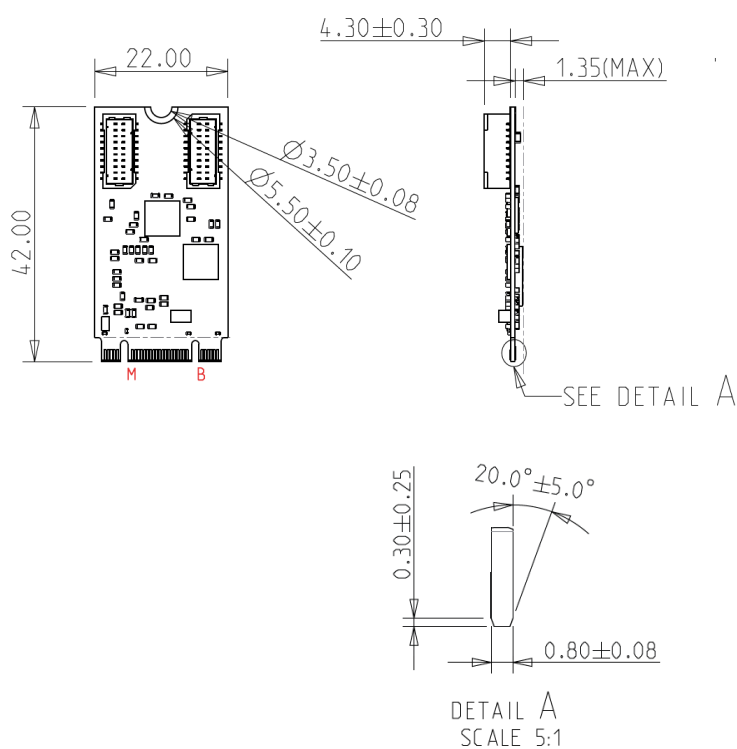
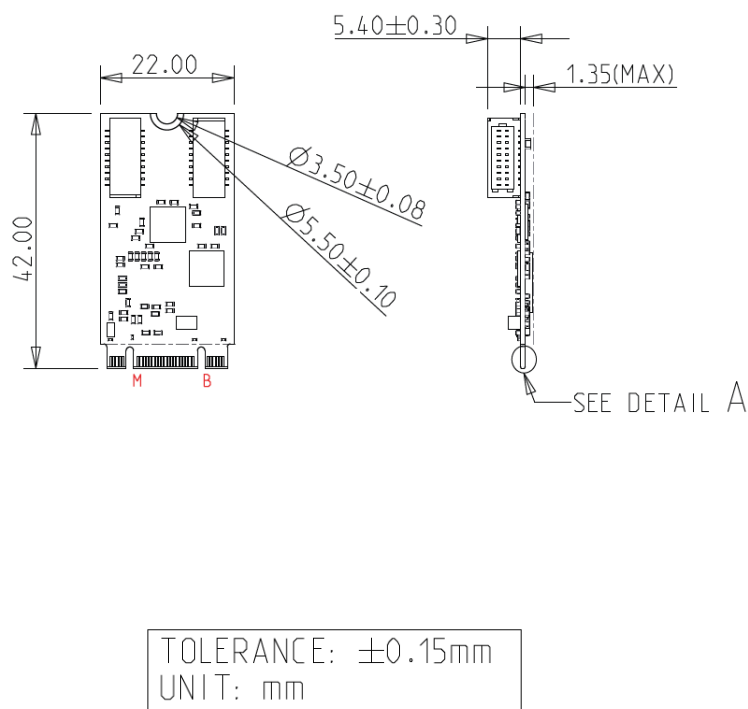
### SPECIFICATIONS

<b>Model Name</b>	EGP2-X403
<b>Module Type</b>	M.2 to Four RS-232 Module
<b>Form Factor</b>	M.2 2242 B+M Key
<b>Function</b>	Serial
<b>Input I/F</b>	PCI Express 1.1 x1
<b>Output I/F</b>	RS-232
<b>Output Port</b>	4
<b>Output Connector</b>	DB-9
<b>Max. Power Consumption</b>	1.656W (3.3V, 502mA)
<b>Dimension (W x L x H/mm)</b>	Vertical : 22 x 42 x 6.83 Horizontal : 22 x 42 x 7.93
<b>Temperature</b>	Operation : S/T 0°C ~ 70°C ; W/T -40°C ~ 85°C (Ta) Storage : -55°C ~ 95°C (Ta)
<b>Vibration</b>	5G@[7~2000Hz]
<b>Shock</b>	50G@0.5ms
<b>OS Support</b>	Windows : 7, 10, and above version Linux : Kernel v2.6.8 and above
<b>Warranty</b>	3 Years
<b>Notes</b>	--

## ORDER INFO.

P/N	Description
EGP2-X403-W1	M.2 2242 to Four RS-232 Module, Vertical Connector / Wide Temperature
EGP2-X403-W2	M.2 2242 to Four RS-232 Module, Horizontal Connector / Wide Temperature

## MECHANICAL DRAWING

EGP2-X403-W1  
(Vertical Connector)EGP2-X403-W2  
(Horizontal Connector)

## PIN DEFINE

DB9 Pin Define	
Pin	RS-232 Signal
1	DCD
2	RX
3	TX
4	DTR
5	GND
6	DSR
7	RTS
8	CTS
9	RI