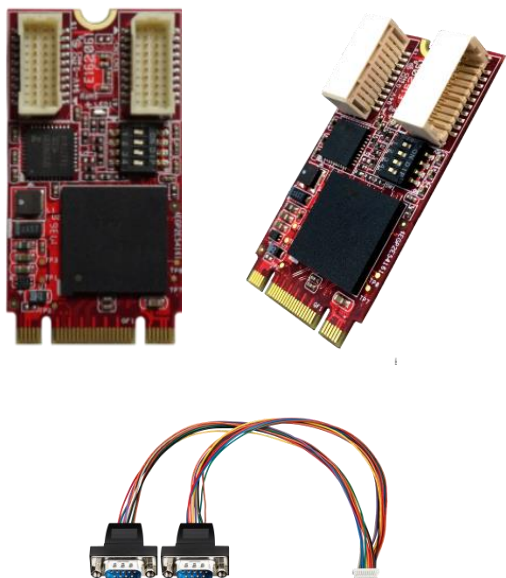


EGP2-X401

M.2 to Four RS-232 / 422 / 485 Module

HIGHLIGHT FEATURES

- PCI-Express specification Rev. 2.0 compliant
- RS-232 / 422 / 485 mode configurable by software
- 4800 to 3Mbps serial data rate (RS-232 921.6Kbps) serial data rate. 16C550 compatible. 256-byte FIFOs
- Alternative vertical or horizontal connector
- Full RS-232 functions with DB9 connector
- Termination resistor enabled / disabled by DIP switch
- Complies with EN61000-4-2 (ESD) Air-15kV, Contact-8kV



SPECIFICATIONS

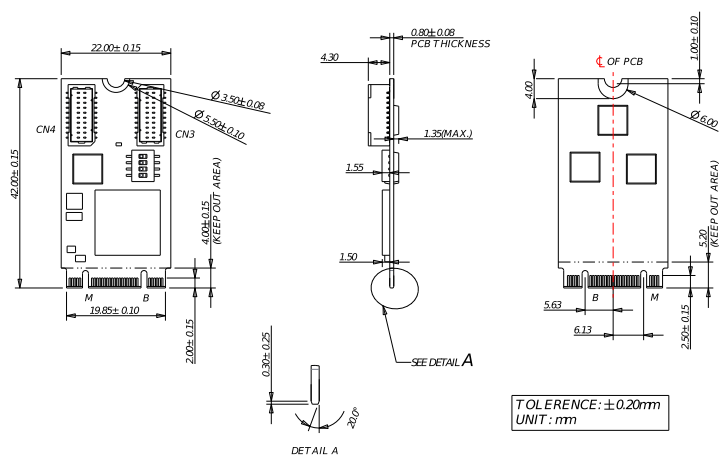
Model Name	EGP2-X401
Module Type	M.2 to Four RS-232 / 422 / 485 Module
Form Factor	M.2 2242 B+M Key
Function	Serial
Input I/F	PCI Express 2.0 x1
Output I/F	RS-232 / RS-422 / RS-485
Output Port	4
Output Connector	DB-9
Max. Power Consumption	0.58W (3.3V x 176mA)
Dimension (W x L x H/mm)	Vertical : 22 x 42 x 6.45 Horizontal : 22 x 42 x 7.65
Temperature	Operation : W/T -40°C ~ 85°C (Ta) Storage : -55°C ~ 95°C (Ta)
Vibration	5G@[7~2000Hz]
Shock	50G@0.5ms
OS Support	Windows : XP (32 bit), 7 (32 / 64 bit), 8 / 8.1 (32 / 64 bit), 10, and above version, WES7, CE7.0 Linux : Kernel 2.6.x and above
Warranty	3 Years
Notes	Innodisk can provide Linux source for modification.

ORDER INFO.

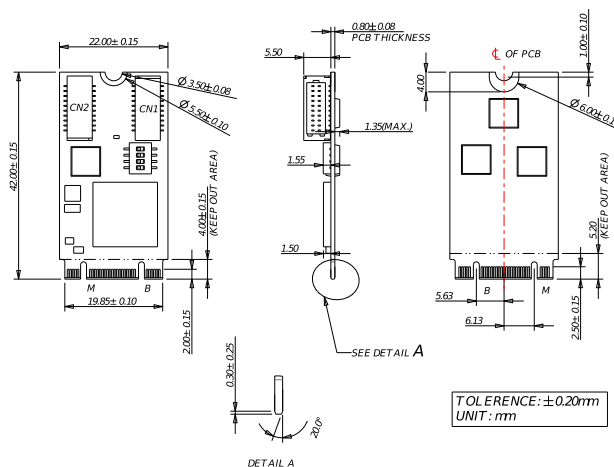
P/N	Description
EGP2-X401-W1	M.2 to Four RS-232 / 422 / 485 Module, Vertical Connector / Wide Temperature
EGP2-X401-W2	M.2 to Four RS-232 / 422 / 485 Module, Horizontal Connector / Wide Temperature

MECHANICAL DRAWING

EGP2-X401-W1
(Vertical Connector)



EGP2-X401-W2
(Horizontal Connector)



PIN DEFINE

DIP Switch Setting

OFF	Normal
ON	Termination

DB9 Pin Define

Pin	RS-232	RS-422 RS-485	RS-485
		Full Duplex	Half Duplex
1	DCD	TX-	D-
2	RX	TX+	D+
3	TX	RX+	
4	DTR	RX-	
5	GND	GND	GND
6	DSR		
7	RTS		
8	CTS		
9	RI		

HQ (Taiwan) T +886-2-7703-3000 / E sales@innodisk.com

CN T +86-755-2167-3689 / E sales_cn@innodisk.com

US T +1-510-770-9421 / E usasales@innodisk.com

EU T +31-40-3045-400 / E eusales@innodisk.com

JP T +81-3-6667-0161 / E jp_sales@innodisk.com

innodisk