



EGP2-X203

M.2 2242 to Dual RS-232 Module

HIGHLIGHT FEATURES

- PCI Express base spec 1.1 compliant
- 4800bps to 921.6Kbps serial data rate
- Compatible with 16C550 / 16C650 / 16C750 / 16C850 / 16C950, 128-byte FIFOs
- Full RS-232 functions with DB9 connector
- Alternative vertical or horizontal connector
- Complies with EN61000-4-2 (ESD) Air-15kV, Contact-8kV
- Operating temperature from -40°C to 85°C

SPECIFICATIONS

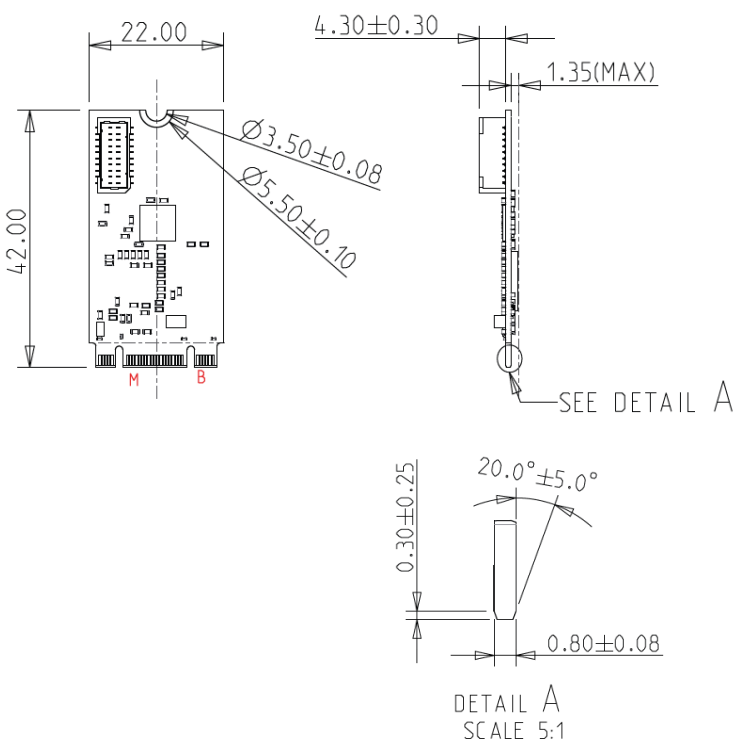
Model Name	EGP2-X203
Module Type	M.2 2242 to Dual RS-232 Module
Form Factor	M.2 2242 B+M Key
Function	Serial
Input I/F	PCI Express 1.1 x1
Output I/F	RS-232
Output Port	2
Output Connector	DB-9
Max. Power Consumption	1.55W (3.3V x 472mA)
Dimension (W x L x H/mm)	Vertical : 22 x 42 x 6.83 Horizontal : 22 x 42 x 7.93
Temperature	Operation : W/T -40°C ~ 85°C (Ta) Storage : -55°C ~ 95°C (Ta)
Vibration	5G@[7~2000Hz]
Shock	50G@0.5ms
OS Support	Windows : 7 (32 / 64bit), 10 (32 / 64bit), and above version Linux : Kernel 2.6.38 and above
Warranty	3 Years
Notes	--

ORDER INFO.

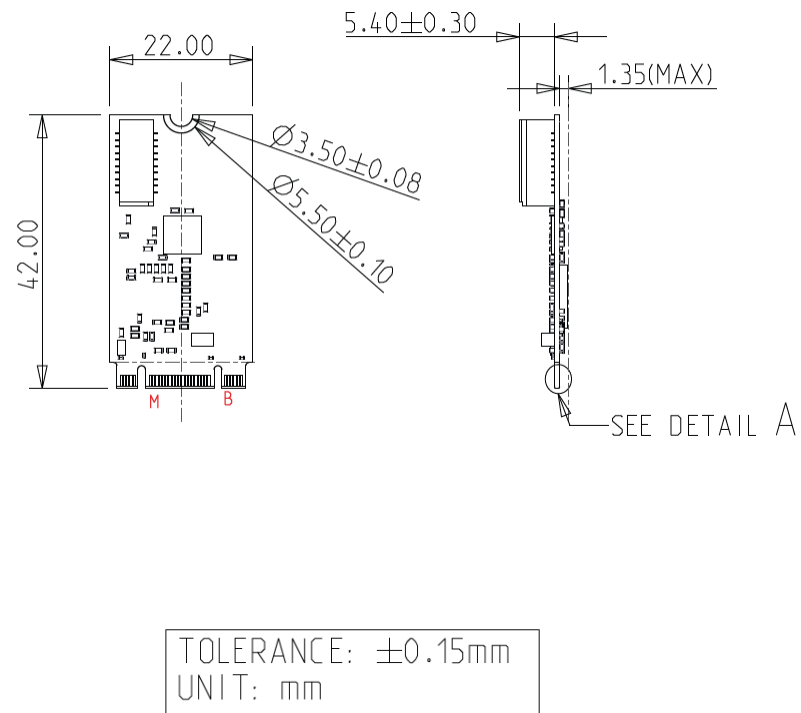
P/N	Description
EGP2-X203-W1	M.2 2242 to Dual RS-232 Module, Vertical Connector / Wide Temperature
EGP2-X203-W2	M.2 2242 to Dual RS-232 Module, Horizontal Connector / Wide Temperature

MECHANICAL DRAWING

EGP2-X203-W1
(Vertical Connector)



EGP2-X203-W2
(Horizontal Connector)



TOLERANCE: ± 0.15 mm
UNIT: mm

PIN DEFINE

DB9 Pin Define	
Pin	RS-232 Signal
1	DCD
2	RX
3	TX
4	DTR
5	GND
6	DSR
7	RTS
8	CTS
9	RI