

## SATADOM-ML 3TG6-P

### HIGHLIGHT FEATURES

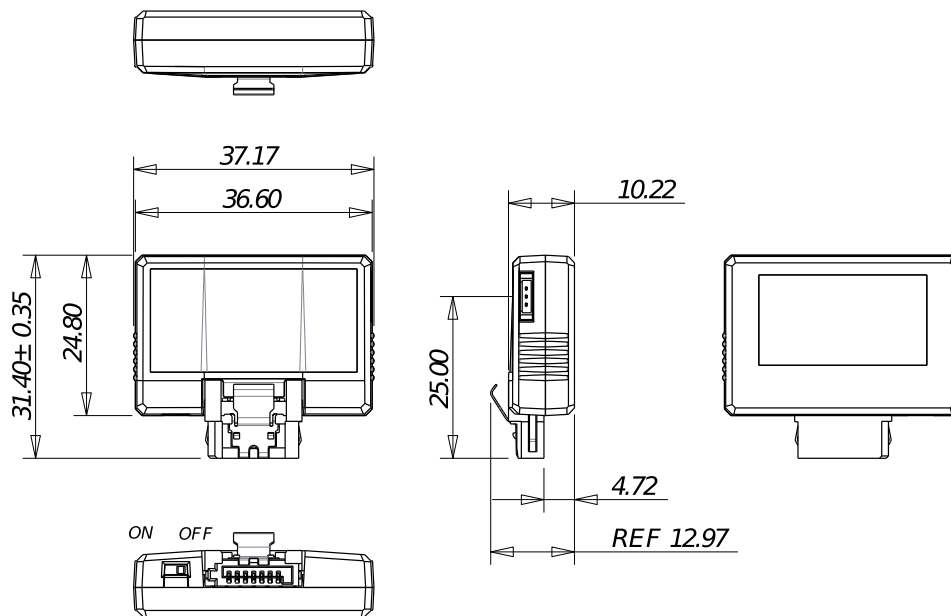


- Built-in Pin 8 power supply
- Best boot drive solution for server and embedded system
- High IOPS to reduce boot up timing
- End to End data path protection
- Anti-vibration mechanical design
- Built in iData Guard
- Hardware write protection supported

### SPECIFICATIONS

<b>Model Name</b>	SATADOM-ML 3TG6-P
<b>Flash Type</b>	3D TLC
<b>Interface</b>	SATA III 6.0 Gb/s
<b>Form Factor</b>	SATADOM-ML
<b>Capacity</b>	128GB ~ 256GB
<b>Sequential R / W (MB/sec, max.)</b>	560 / 290
<b>P/E Cycle</b>	3,000
<b>TBW (Max.)</b>	300
<b>Storage Temperature</b>	-40°C ~ 85°C
<b>Max. Power Consumption</b>	2.2W
<b>Max. Channels</b>	4
<b>External DRAM Buffer</b>	Y
<b>H/W Write Protect</b>	Y
<b>S.M.A.R.T.</b>	Y
<b>AES</b>	N
<b>TCG Opal</b>	N
<b>Dimension (W x L x H/mm)</b>	37.17 x 31.4 x 12.97
<b>Vibration</b>	20G@[7 ~ 2000Hz]
<b>Shock</b>	1500G@0.5ms
<b>MTBF</b>	>3 million hours
<b>Warranty</b>	3 Years

## DIAGRAM



TOLERANCE: ±0.30mm  
UNIT: mm

## ORDER INFO.

Operating Temperature	Standard Grade (0°C ~ 70°C)	Industrial Grade (-40°C ~ 85°C)
128GB	DGSML-A28M71ECAQF*	DGSML-A28M71EWAQF*
256GB	DGSML-B56M71ECAQF*	DGSML-B56M71EWAQF*

\*PN end with A : Pin 8 + power cable / B : Pin 8 + Pin 7

HQ (Taiwan) T +886-2-7703-3000 / E sales@innodisk.com

CN T +86-755-2167-3689 / E sales\_cn@innodisk.com

US T +1-510-770-9421 / E usasales@innodisk.com

EU T +31-40-3045-400 / E eusales@innodisk.com

JP T +81-3-6667-0161 / E jp\_sales@innodisk.com

**innodisk**