

M.2 (P80) 4TS2-P

HIGHLIGHT FEATURES



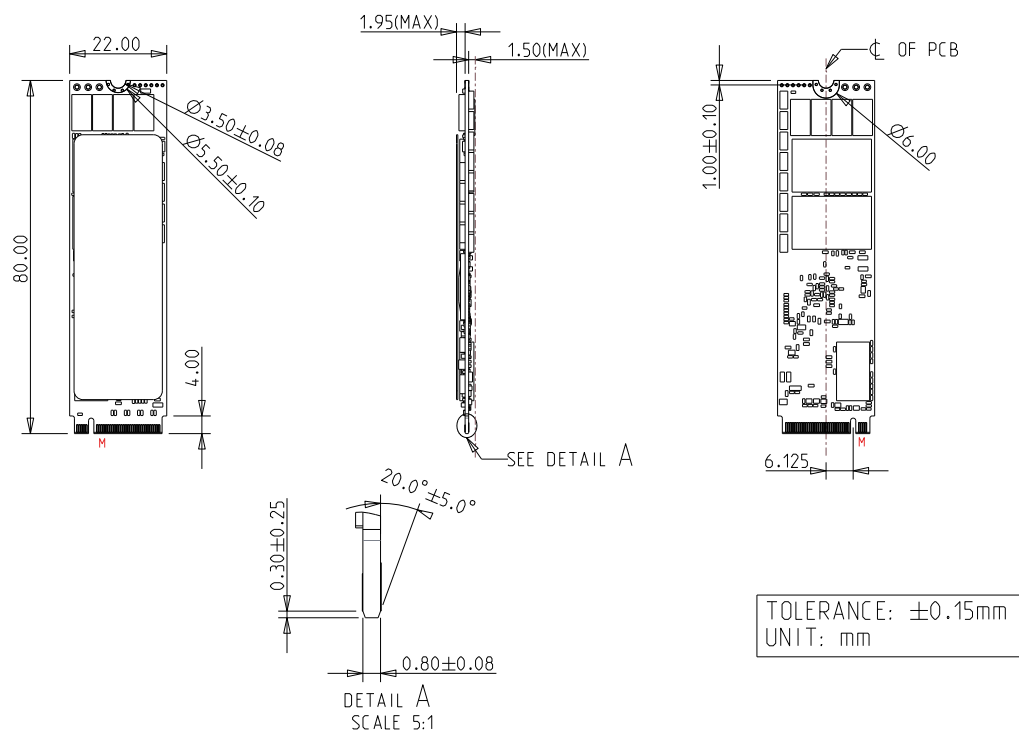
- PCIe Gen 4 x4, NVMe 1.4
- Stable sustained performance
- LDPC ECC engine supported
- Dynamic thermal management
- Support TCG Opal Function (Optional)
- PLP (iCell) feature
- 256 bit AES hardware-based encryption

SPECIFICATIONS

Model Name	M.2 (P80) 4TS2-P
Flash Type	3D TLC
Interface	PCIe Gen 4 x4
Form Factor	M.2 2280 M Key
Capacity	240GB ~ 1.92TB
Sequential R / W (MB/sec, max.)	6,600 / 1,550
P/E Cycle	7,000
TBW (Max.)	3,187 (DWPD=1)
Storage Temperature	-40°C ~ 85°C
Max. Power Consumption	5.6W
Max. Channels	8
External DRAM Buffer	Y
H/W Write Protect	N
S.M.A.R.T.	Y
AES	Y (Optional)
TCG Opal	Y (Optional)
Dimension (W x L x H/mm)	S/T with heat-spreading copper layer : 22.0 x 80.0 x 4.25 Pure M.2 : 22.0 x 80.0 x 3.8
Vibration	20G@[7 ~ 2000Hz]
Shock	1500G@0.5ms
MTBF	>3 million hours
Warranty	5 Years

DIAGRAM

ST



ORDER INFO.

Operating Temperature	Standard Grade (0°C ~ 70°C)
240GB	DSM28-240DP1NC#Q%P
480GB	DSM28-480DP1NC#E%P
960GB	DSM28-960DP1NCD&%P
1.92TB	DSM28-1T9DP1NCDE%P

Operation temperature based on temperature obtained from S.M.A.R.T.

For TCG OPAL function, the PN Code 10th ~ 12th will be DP2.

#: BOM revision

&: Q=4-channel / E=8-channel

HQ (Taiwan) T +886-2-7703-3000 / E sales@innodisk.com

CN T +86-755-2167-3689 / E sales_cn@innodisk.com

US T +1-510-770-9421 / E usasales@innodisk.com

EU T +31-40-3045-400 / E eusales@innodisk.com

JP T +81-3-6667-0161 / E jp_sales@innodisk.com

innodisk