

E1.S 4TS2-P

HIGHLIGHT FEATURES



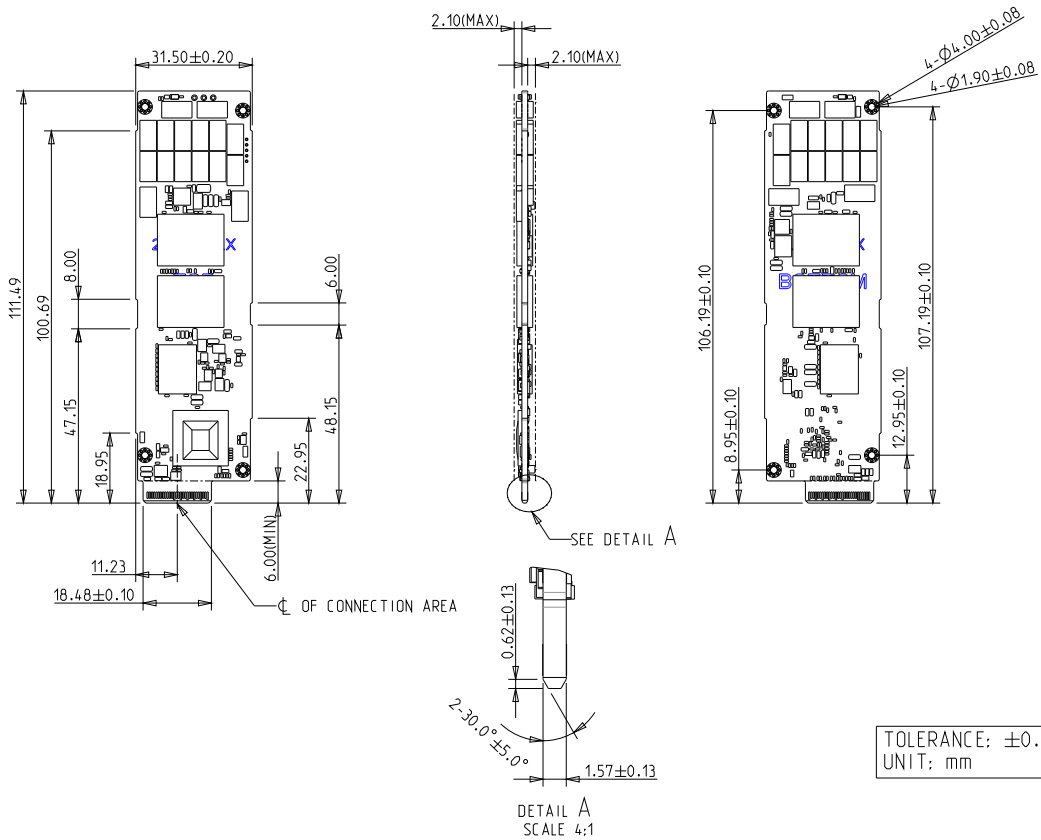
- PCIe Gen 4 x4, NVMe 1.4
- PLP (iCell) technology for power loss protection
- Stable sustained performance
- LDPC ECC engine supported
- Dynamic thermal management

SPECIFICATIONS

Model Name	E1.S 4TS2-P
Flash Type	3D TLC
Interface	PCIe Gen 4 x4
Form Factor	E1.S
Capacity	480GB ~ 3.84TB
Sequential R / W (MB/sec, max.)	6,600 / 1,550
P/E Cycle	7,000
TBW (Max.)	7,516 (DWPD=1)
Storage Temperature	-40°C ~ 85°C
Max. Power Consumption	13W
Max. Channels	8
External DRAM Buffer	Y
H/W Write Protect	N
S.M.A.R.T.	Y
AES	Y
TCG Opal	Y
Dimension (W x L x H/mm)	5.9mm : 31.5 x 111.5 x 5.9 9.5mm : 33.75 x 118.75 x 9.5 15mm : 33.75 x 118.75 x 15.0
Vibration	20G@[7 ~ 2000Hz]
Shock	1500G@0.5ms
MTBF	>3 million hours
Warranty	5 Years

DIAGRAM

5.9mm



9.5mm

