



2.5" SATA SSD 3TEA

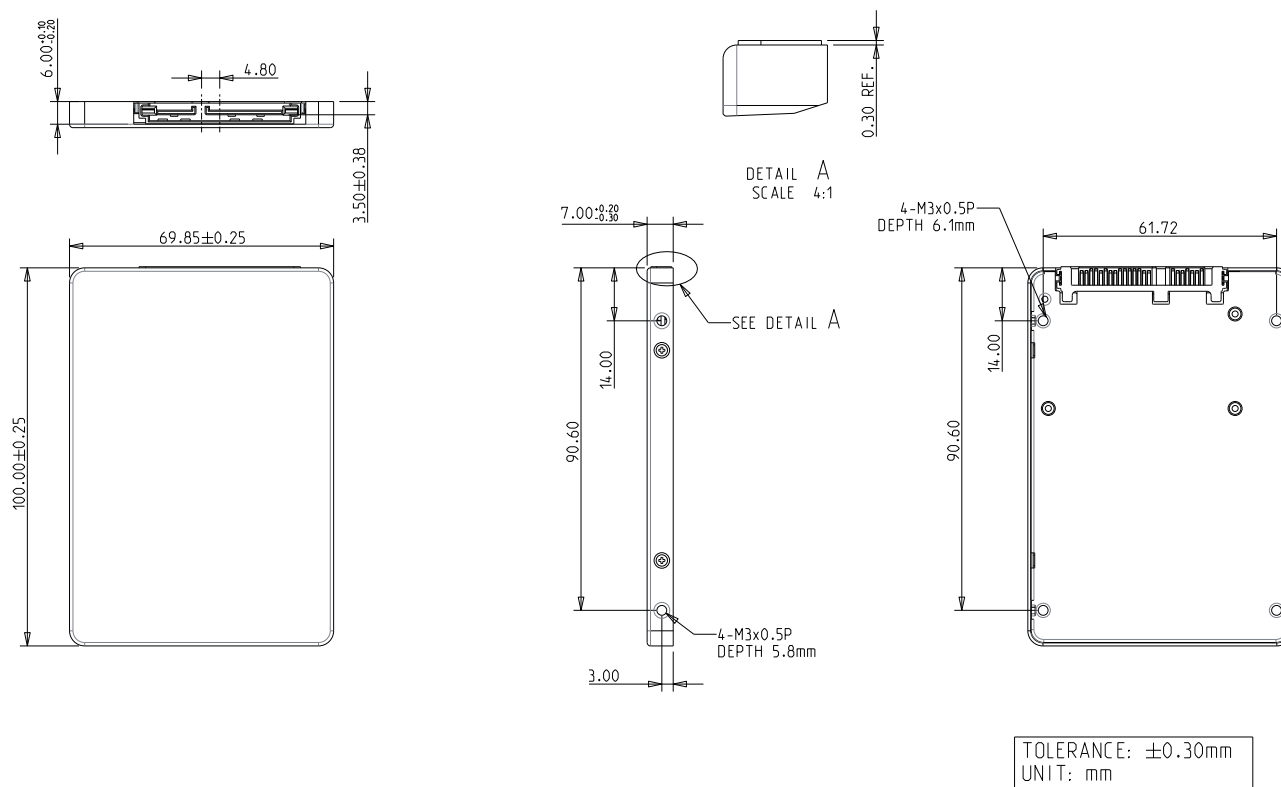
HIGHLIGHT FEATURES

- 2.5" SATA III solution for industrial field
- Equipped with 218-layer 3D TLC NAND Flash
- Excellent data transfer Speed
- PLP (iCell) technology for data protection (optional)
- Support iPower Guard & iData Guard

SPECIFICATIONS

| | |
|---------------------------------|--------------------|
| Model Name | 2.5" SATA SSD 3TEA |
| Flash Type | 3D TLC |
| Interface | SATA III 6.0 Gb/s |
| Form Factor | 2.5" SSD |
| Capacity | 128GB ~ 2TB |
| Sequential R / W (MB/sec, max.) | 550 / 500 |
| P/E Cycle | 3,000 |
| TBW (Max.) | 2,064 |
| Storage Temperature | -40°C ~ 85°C |
| Max. Power Consumption | 1.5W |
| Max. Channels | 2 |
| External DRAM Buffer | N |
| H/W Write Protect | Y (Optional) |
| S.M.A.R.T. | Y |
| AES | N |
| TCG Opal | N |
| Dimension (W x L x H/mm) | 69.8 x 100.0 x 6.8 |
| Vibration | 20G@[7 ~ 2000Hz] |
| Shock | 1500G@0.5ms |
| MTBF | >3 million hours |
| Warranty | 3 Years |

DIAGRAM



ORDER INFO.

| Operating Temperature | Standard Grade (0°C ~ 70°C) |
|-----------------------|-----------------------------|
| 128GB | DES25-A28DZ1PCCDF(P) |
| 256GB | DES25-B56DZ1PCCDF(P) |
| 512GB | DES25-C12DZ1PCCDF(P) |
| 1TB | DES25-01TDZ1PCCDF(P) |
| 2TB | DES25-02TDZ1PCCDF(P) |

(P) : PLP (iCell) (Optional)

HQ (Taiwan) T +886-2-7703-3000 / E sales@innodisk.com

CN T +86-755-2167-3689 / E sales_cn@innodisk.com

US T +1-510-770-9421 / E usasales@innodisk.com

EU T +31-40-3045-400 / E eusales@innodisk.com

JP T +81-3-6667-0161 / E jp_sales@innodisk.com

innodisk