

## ELPL-T201

PCIe to Dual 10GbE LAN Module

### HIGHLIGHT FEATURES

- Intel E610-XAT2/E610-XAIT2 Ethernet Controller
- Support DPDK 25.07 (validated with Intel Release 30.4 driver and NVM 1.3 baseline)
- Support PTP (PHY-based PTP (Driver 30.4 + NVM 1.3 or later)
- SR-IOV support up to 16VFs shared across all ports
- Complies with EN61000-4-2 (ESD) Air-15kV, Contact-8kV
- Support operating temperature from -40°C to 85°C

### SPECIFICATIONS

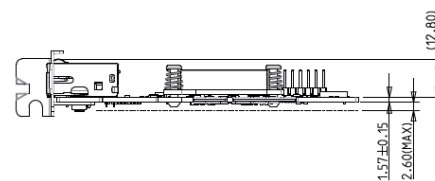
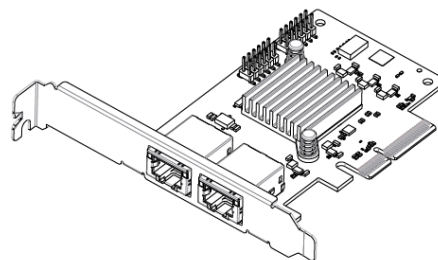
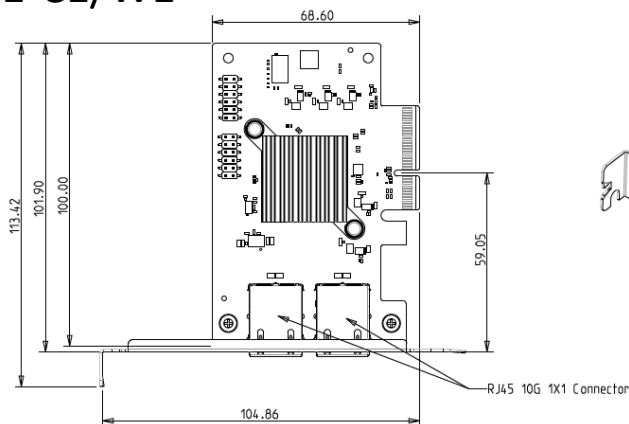
<b>Model Name</b>	ELPL-T201
<b>Module Type</b>	PCIe to Dual 10GbE LAN Module
<b>Form Factor</b>	Low-profile PCIe
<b>Function</b>	LAN
<b>Input I/F</b>	PCIe Gen 4 x4
<b>Output I/F</b>	10GbE LAN
<b>Output Port</b>	2
<b>Output Connector</b>	RJ45
<b>Max. Power Consumption</b>	4.04W (3.3V, 1.23A)
<b>Dimension (W x L x H/mm)</b>	100 x 68.6 x 14.37
<b>Temperature</b>	Operation : ST 0~70°C (Ta) / WT -40°C ~ 85°C (Ta) Storage : -40°C ~ 95°C (Ta)
<b>Vibration</b>	5G@[7~2000Hz]
<b>Shock</b>	50G@0.5ms
<b>OS Support</b>	Windows : 11 and above versions Linux : Kernel 6.18 and above versions
<b>Warranty</b>	3 Years
<b>Notes</b>	--

# ORDER INFO.

P/N	Description
ELPL-T201-C1	PCIe to Dual 10GbE LAN Module W/ LOW-BKT
ELPL-T201-C2	PCIe to Dual 10GbE LAN Module W/ STD-BKT
ELPL-T201-W1	PCIe to Dual 10GbE LAN WT W/ LOW-BKT
ELPL-T201-W2	PCIe to Dual 10GbE LAN WT W/ STD-BKT

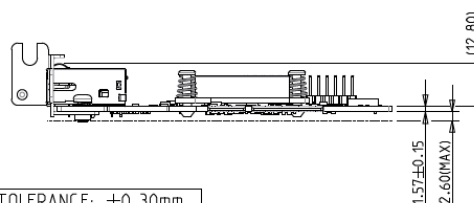
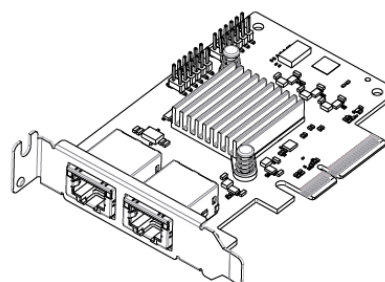
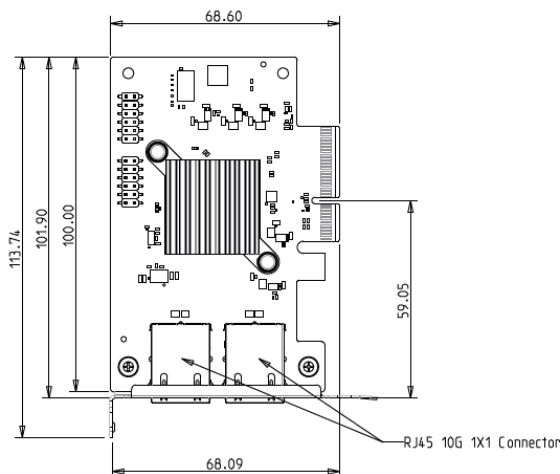
## MECHANICAL DRAWING

### ELPL-T201-C1/W1



TOLERANCE: ±0.30mm  
UNIT: mm

### ELPL-T201-C2/W2



TOLERANCE: ±0.30mm  
UNIT: mm

HQ (Taiwan) T +886-2-7703-3000 / E sales@innodisk.com

CN T +86-755-2167-3689 / E sales\_cn@innodisk.com

US T +1-510-770-9421 / E usasales@innodisk.com

EU T +31-40-3045-400 / E eusales@innodisk.com

JP T +81-3-6667-0161 / E jp\_sales@innodisk.com

